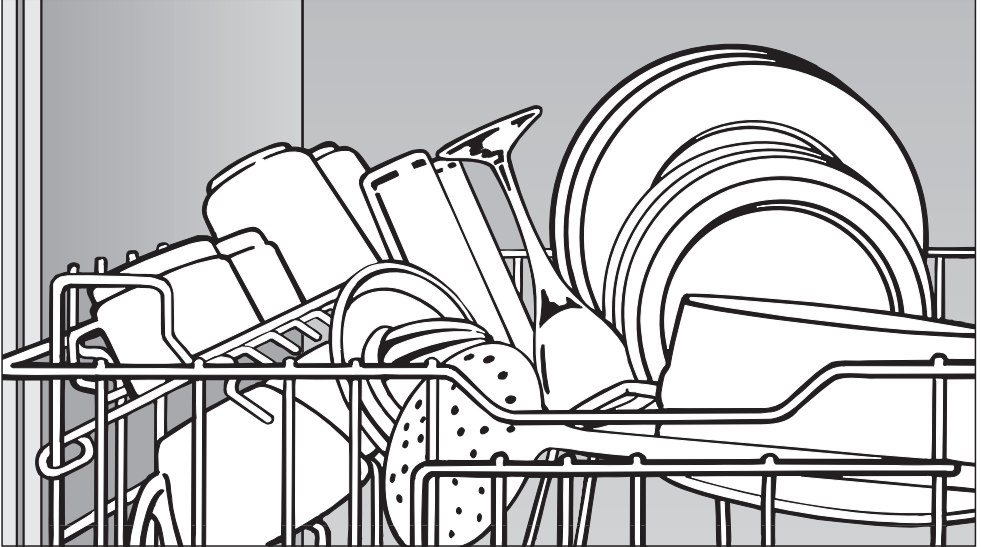


# Miele

## Operating instructions



for the G 890  
dishwasher

To prevent accidents and reduce the risk of damaging the machine, read the Operating Manual **before** installing or using the machine.



M.-Nr. 04 329 631



<b>Guide to the appliance</b> . . . . .	5
View of the machine . . . . .	6
Control panel . . . . .	7
<b>Caring for the environment</b> . . . . .	12
<b>Before using for the first time</b> . . . . .	13
<b>Opening and closing the door</b> . . . . .	14
Child safety lock. . . . .	14
<b>Water softener</b> . . . . .	15
To set the water softener . . . . .	16
Setting the water softener for a hardness level of 1 - 35 gr/gal . . . . .	16
Setting the water softener for a hardness level of 36 - 70 gr/gal . . . . .	17
Filling the salt reservoir. . . . .	18
Salt indicator. . . . .	19
Bypassing the Salt indicator lamp. . . . .	19
<b>Adding rinse aid</b> . . . . .	20
Setting the dosage. . . . .	21
<b>Loading the dishwasher</b> . . . . .	22
Loading examples. . . . .	23
Upper basket. . . . .	23
Bottom basket. . . . .	23
Cutlery tray. . . . .	24
Adjustable cup racks. . . . .	25
Coffee bar. . . . .	25
Adjusting the upper basket . . . . .	26
<b>Items not suitable for dishwashers</b> . . . . .	27
<b>Adding detergent</b> . . . . .	28
<b>Choosing a program</b> . . . . .	29
<b>Program chart</b> . . . . .	30

# Contents

---

<b>Operating the dishwasher</b> . . . . .	32
Turning on . . . . .	32
Starting a program . . . . .	32
Sequence indication . . . . .	32
Time display . . . . .	33
End of a program . . . . .	33
Turning off the dishwasher . . . . .	33
Interrupting a program . . . . .	34
Changing a program . . . . .	34
<b>Additional features</b> . . . . .	35
Delay start . . . . .	35
To set a delay time: . . . . .	35
To start a program before the Delay Start period has ended: . . . . .	36
Top Solo (for smaller amounts of dishware) . . . . .	37
<b>Unloading the dishwasher</b> . . . . .	38
<b>Cleaning and care</b> . . . . .	39
Cleaning the filters in the wash cabinet. . . . .	39
Cleaning the spray arms. . . . .	41
Cleaning the drain pump and non-return valve. . . . .	42
Cleaning the water intake filter. . . . .	43
Cleaning the wash cabinet. . . . .	44
Cleaning the door and the door seal. . . . .	44
Cleaning the control panel. . . . .	44
Cleaning the door panel. . . . .	44
<b>Problem solving guide</b> . . . . .	45
<b>After sales service</b> . . . . .	47
<b>Accessories</b> . . . . .	48
<b>Dishwasher installation</b> . . . . .	49
<b>Electrical connection</b> . . . . .	64
<b>Plumbing</b> . . . . .	66
<b>Technical Data</b> . . . . .	70

Miele dishwashers are available in two versions:

## **1. Integrated (“i”) dishwashers**

“i”- dishwashers are designed for installation under a continuous countertop.

The control panel with its accessories is included with the “i”- dishwasher in a separate package for on-site installation. The front is designed to accept a custom made panel, matching the existing kitchen cabinets.

Installation directions can be found in the Installation chapter.

## **2. “U” dishwashers**

The built-under (“U”) dishwashers use the integrated (“i”) dishwashers as the basic machine.

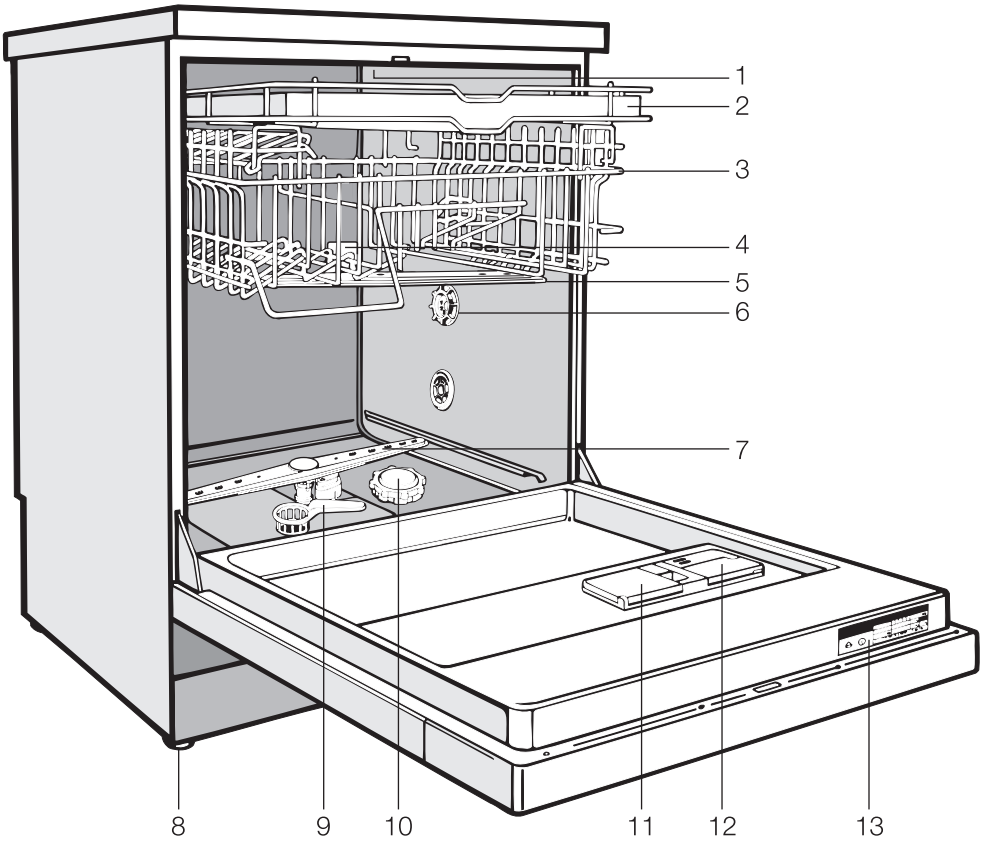
By using a decor set (GDU) the “i” dishwasher can be converted into a “U” model dishwasher.

GDU installation instructions are included in a separate pamphlet supplied with the decor kit.

# Guide to the appliance

---

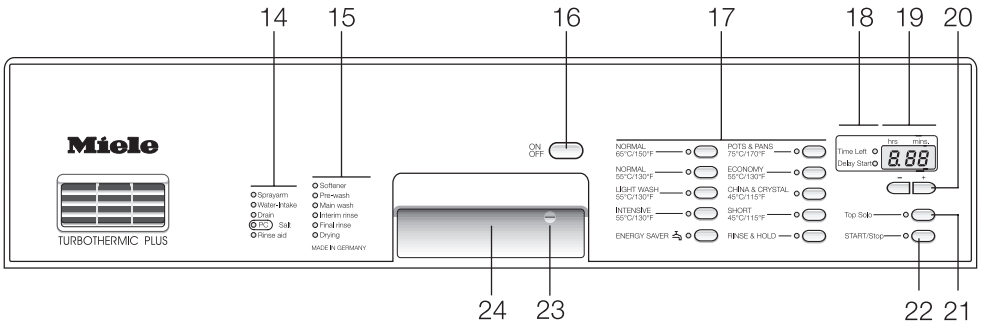
## View of the machine



- 1. Upper spray arm (not visible)
- 2. Cutlery tray
- 3. Upper basket
- 4. Water feed tube for the middle spray arm
- 5. Middle spray arm
- 6. Water hardness selector
- 7. Lower spray arm
- 8. Four height adjustable levelling legs
- 9. Combination filter
- 10. Salt reservoir
- 11. Dual compartment detergent dispenser
- 12. Rinse aid reservoir (with dosage selector)
- 13. Data plate

Note: Lower basket is not shown.

## Control panel



- 14 Indicator lamps
- 15 Program sequence display
- 16 ON / OFF button
- 17 Program selection buttons
- 18 Time left / Delay start indicator lamps
- 19 Time display
- 20 Delay start button
- 21 Top Solo button
- 22 START/Stop button
- 23 Child safety lock
- 24 Door release

# IMPORTANT SAFETY INSTRUCTIONS

---

## WARNING

**When using your dishwasher, follow all basic safety precautions.**

**This appliance conforms to all uniform safety codes and regulations. To avoid injury and machine damage, read the operating instructions carefully before using the dishwasher.**

**This dishwasher is designed for household use only. The manufacturer cannot be held responsible for damage or injury caused by improper use or for uses other than those for which the appliance is intended.**

■ Repairs should only be performed by qualified personnel. Disconnect the appliance from the power supply before servicing (pull out the plug or turn off the circuit breaker).

■ If not purchased specifically as a “Freestanding” model, only install the dishwasher under a continuous countertop which is secured to the cabinetry.

■ The dishwasher must be electrically grounded. Install the dishwasher as per the included Installation instructions.

■ Use only powder detergents and liquid rinse aids recommended for dishwashers. Never use gels or liquid detergents.

■ Do not use commercial or industrial grade detergents, as these may cause adverse chemical reactions and damage the machine. Use only detergents made for residential dishwashers.

■ Do not use your dishwasher unless all enclosure panels are properly in place.

■ Do not allow children to play in or on the dishwasher.

■ Keep all detergents and rinse aids out of the reach of children.

■ Dishwasher detergents contain Sodium Silicate and Sodium Carbonate. In case of eye contact, immediately flush with water. Call a physician or poison control.

■ Do not tamper with the controls.



# IMPORTANT SAFETY INSTRUCTIONS

---

■ When loading items to be washed:

- Load pointed items so that they are not likely to damage the door seal.
- Load knives with the cutting edge down to reduce the risk of injuries.

■ Do not wash plastic items unless they are labeled “dishwasher safe” or the equivalent. For items not labeled, check the manufacturer’s recommendations.

■ Do not abuse, sit, or stand on the door or dishracks of the dishwasher.

■ Remove the front door and cut off the power cord of the dishwasher before removing it from service or discarding it. This will help protect children from injury or accidentally locking themselves in.

■ Under certain conditions, hydrogen gas may be produced in a hot water system that has not been used for two weeks or more. **HYDROGEN GAS IS EXPLOSIVE.** If the hot water system has not been used for such a period, turn on all hot water faucets and let the water flow from each for several minutes before using the dishwasher. This will release any accumulated hydrogen gas. Do not smoke or use an open flame during this time.

■ Do not drink the water from the wash cabinet.

## **For dishwashers with visible heating element**

■ Do not touch the heating element during or immediately after use.

# SAVE THESE INSTRUCTIONS

# INSTRUCTIONS IMPORTANTES SUR LA SÉCURITÉ

---

## AVERTISSEMENT

**Au moment d'utiliser votre lave-vaisselle, veuillez observer toutes les mesures de sécurité de base.**

**Cet appareil électroménager est conforme à tous les règlements et codes sur la sécurité. Pour éviter de vous blesser et d'endommager l'appareil, veuillez lire soigneusement les instructions sur l'utilisation.**

N'utilisez le lave-vaisselle que pour laver la vaisselle.

Le fabricant ne peut être tenu responsable des dommages ou blessures causés par une utilisation inadéquate ou par des utilisations autres que celles auxquelles l'appareil est destiné.

■ Les réparations doivent être effectuées uniquement par une personne compétente. Débrancher l'appareil de la prise de courant avant d'en faire l'entretien (enlever la fiche de la prise ou fermer le disjoncteur).

■ Installer uniquement le lave-vaisselle sous un comptoir continu qui est fixé à des meubles adjacents.

■ Vous devez mettre le lave-vaisselle à la terre. Installer le lave-vaisselle en observant les instructions pour l'installation ci-jointes.

■ Utiliser uniquement des détergers et des produits de rinçage recommandés pour les lave-vaisselle.

■ Ne pas utiliser de détergers de qualité commerciale ou industrielle puisqu'ils pourraient causer des réactions chimiques défavorables et endommager l'appareil. Utiliser des détergers pour les lave-vaisselle ménagers seulement.

■ Ne pas utiliser votre lave-vaisselle à moins que tous les panneaux soient bien en place.

■ Ne pas permettre aux enfants de jouer dans ou sur le lave-vaisselle.

■ Ranger tous les détergers et produits de rinçage hors de la portée des enfants.

■ Les détergers pour lave-vaisselle contiennent du silicate de soude et du carbonate de soude. En cas de contact avec les yeux, les rincer immédiatement à grande eau. Téléphoner à un médecin ou à un centre de traitement antipoison.

# INSTRUCTIONS IMPORTANTES SUR LA SÉCURITÉ

---

- Ne pas modifier les commandes.
- Ne pas boire l'eau du meuble de lavage.
- Au moment de remplir le lave-vaisselle :
  - Mettre les articles pointus de manière à ce qu'ils n'endommagent pas le seau étanche de la porte.
  - Mettre le tranchant des couteaux vers le bas afin de réduire les risques de blessure.
- Ne pas laver les articles en plastique à moins qu'ils n'indiquent "Va au lave-vaisselle" ou l'équivalent. Vérifier les recommandations du fabricant pour les articles non étiquetés.
- Ne pas abuser et ne pas vous asseoir ni vous tenir sur la porte ou sur les paniers du lave-vaisselle.
- Enlever la porte et débrancher le lave-vaisselle avant de le faire réparer ou de le jeter afin d'empêcher les enfants de se blesser ou de s'enfermer dans l'appareil par accident.

■ Dans certaines conditions, un système d'eau chaude qui n'a pas été utilisé pendant plus de 2 semaines peut dégager de l'azote. L'AZOTE EST EXPLOSIF. Si le système d'eau chaude n'a pas été utilisé pendant une telle période de temps, ouvrir tous les robinets d'eau chaude et laisser l'eau couler pendant plusieurs minutes avant d'utiliser le lave-vaisselle. Ceci dissipera tout l'azote accumulé. Ne pas fumer ni utiliser une flamme nue durant ce temps.

## **Lave-vaisselle avec l'élément chauffant**

■ Ne touchez pas l'élément chauffant pendant le fonctionnement de l'appareil ou immédiatement après.

# CONSERVER CES INSTRUCTIONS

# Caring for the environment

---

## **Disposal of the packing material.**

The cardboard box and packing material protects the appliance during shipping. It has been deliberately designed to be biodegradable and recyclable. Please dispose of these materials as you would any other recyclable products.

## **Disposal of your old machine.**

Old machines contain materials which can be recycled. Please contact your local recycling center about the possibility of recycling these materials. Make certain the machine has been made child resistant as outlined in the "Important safety instructions" before disposing of the appliance.

## **Energy saving washing.**

These dishwashers are exceptionally efficient in their use of water and electricity. You can make the most of your appliance by following these tips:

- Make full use of the baskets without overloading the dishwasher for the most economical washing.
- For small loads:  
Select the "Top Solo" function (see "Additional features" chapter).
- Choose a program that best suits the degree of soiling and the type of dishes being washed.
- If baskets are only half full, use the ECONOMY program.
- Use the correct amounts of detergent and rinse aid.

# Before using for the first time

---

Before using for the first time please note the following points:

## Setting the water softener.

The water softener must be set to correspond to the water hardness in your area. This can be obtained from your local water company, or by using a test kit that can be purchased from the Miele Parts Department.

The salt reservoir must **only** be filled with water and salt. Never fill it with detergent.

## Adding rinse aid.

### **Inadvertently filling the rinse aid reservoir with liquid or powder detergent will damage the reservoir.**

Use only powder detergents and liquid rinse aids formulated for domestic dishwashers.

## **It is important to choose the correct program.**

Different wash programs should be selected for different loads and different degrees of soiling. See the program chart for further program descriptions.

When the dishwasher is run for the first time, the selected program will not start for approximately 7 minutes.

During these 7 minutes, the Water Softener reactivation program will run, and the "Softener" indicator lamp will be on.

## **Add the correct amount of detergent.**

Generally, one to two tablespoons of detergent will be adequate for most wash loads. Not enough or too much detergent can lead to poor wash results.

Cleaning results vary between detergents. If you are not satisfied with the results from one brand, try another quality brand before contacting the Miele Service Department for advice.

## **Load the dishes correctly.**

Load the dishes so that water can contact all surfaces. Ensure that the spray arms are not blocked by items which are too tall for the basket or which extend through the bottom of the basket. If necessary, manually rotate the spray arms to test for clearance.

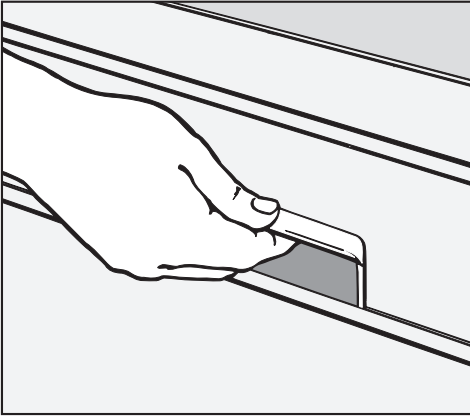
## **The combination filter in the base of the wash cabinet and the spray arms must be kept clean.**

These should be regularly inspected and cleaned if necessary.

See the corresponding chapters for detailed information on the above points.

# Opening and closing the door

## To open the door.



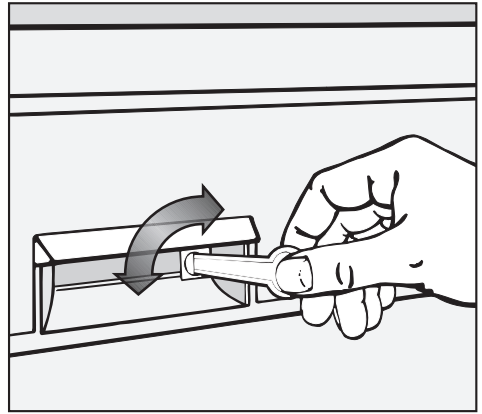
- Press the release catch inside the door grip.

If the door is opened during operation, all functions will automatically be interrupted.

## To close the door.

- Push the baskets in.
- Lift the door and push until it clicks into position.

## Child safety lock.



The child safety lock is designed to deter children from opening the dishwasher door.

- Use the provided key to turn the child safety lock to the desired setting.



Horizontal setting = The door is locked.



Vertical setting = the door can be opened.

The water softener must be set to correspond to the water hardness in your area. This can be obtained from your local water company or by using a test kit that can be purchased from the Miele Parts Department.

To avoid the build up of calcium deposits on dishes, cutlery, and in the dishwasher, if the water hardness is above 7 gr/gal, the water should be softened.

The dishwasher is factory set for a hardness level of 4 gr/gal. If your water is harder or softer, the setting will need to be adjusted.

**To ensure a steady supply of softened water, the built in water softener must be:**

1. Correctly set.
2. Reactivated with salt when depleted.

Where the water hardness fluctuates (e.g. 8 - 17 gr/gal) always set the machine to the higher value (17 gr/gal in this example).

## Settings

gr/gal	ppm	°f	value for programming	water level selector (Setting)
1	20	2	1	6
2	40	4	2	6
3	50	5	3	6
*4	70	7	4	6
5	90	9	5	6
6	110	11	6	6
7	130	13	7	6
8	140	14	8	6
9	160	16	9	6
10	180	18	10	6
11	200	20	11	6
12	220	22	12	6
13	230	23	13	6
14	250	25	14	6
15	270	27	15	6
16	290	29	16	6
17	310	31	17	6
18	320	32	18	6
19	340	34	19	6
20	360	36	20	6
21	380	38	21	6
22	400	40	22	6
23	410	41	23	6
24	430	43	24	6
25	450	45	25	6
26	470	47	26	6
27	490	49	27	6
28	500	50	28	6
29	520	52	29	6
30	540	54	30	6
31	560	56	31	6
32	580	58	32	6
33	590	59	33	6
34	610	61	34	6
35	630	63	35	6
36-47	650- 850	65- 85	36	4
48-65	860-1170	86-117	36	5
66-70	1190-1260	119-126	36	6

\*) factory setting

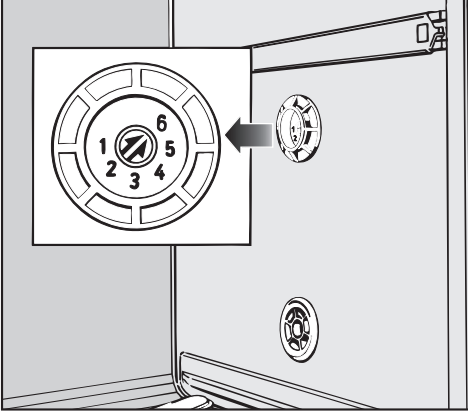
# Water softener

---

## To set the water softener

### Setting the water softener for a hardness level of 1 - 35 gr/gal:

- Turn the dishwasher off.



- Use a screwdriver to remove the lid of the water hardness level selector in the wash cabinet.
- Check that the selector is set to 6 (factory setting). If not, use a flat blade screwdriver to turn the selector until it clicks on setting 6.
- Press the "+" and "START/Stop" buttons while simultaneously turning the dishwasher ON. "P" and a number will appear in the time display.
- Press the "NORMAL 55 °C/130 °F" program button. A value corresponding to the currently set water hardness level will appear in the display.
- Press the "Top Solo" button as often as necessary until the hardness of your water in gr/gal appears in the display.

### Example:

For a water hardness of 30 gr/gal.

- Keep pressing the "Top Solo" button until "30" appears in the display.

Once "36" is reached, the display will return to "1".

- Press the "START/Stop" button.

"SP" appears in the display.

- Press the "START/Stop" button again.

The water hardness value is now stored in the machines memory.



## Setting the water softener for a hardness level of 36 - 70 gr/gal:

This requires the following two step procedure.

### 1.

- Turn off the dishwasher.
- Press the "+" and "START/Stop" buttons while simultaneously turning the dishwasher ON.  
"P" and a number will appear in the time display.
- Press the "NORMAL 55 °C/130 °F" program button.  
A value corresponding to the currently set water hardness level will appear in the display.
- Keep pressing the "Top Solo" button until "36" appears in the display.

Once "36" is reached the display will return to "1".

- Press the "START/Stop" button.  
"SP" appears in the display.
- Press the "START/Stop" button again.

All the control lights next to the program selection buttons and the decimal point in the time display light up.

The change to water hardness recognition is now stored in memory.

### 2.

The water hardness selector in the wash cabinet must now be set according to the last column in the following chart.

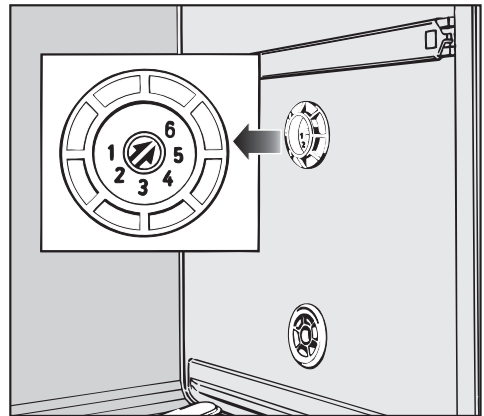
gr/gal	ppm	°f	value for program -ming	water hardness selector (Setting)
36-47	650- 850	65- 85	36	4
48-65	860-1170	86-117	36	5
66-70	1190-1260	119-126	36	6 *)

\*) factory setting

### Example:

The water hardness is 60 gr/gal.

The water hardness selector in the wash cabinet must be set to 5, (48 - 65 gr/gal).



Using a screwdriver:

- Remove the cover from the water hardness selector.
- Adjust the water hardness selector as necessary. There will be a click as each setting is reached.

**Do not set the selector on setting 1 - 3.**

- Replace the cover over the water hardness selector.

# Water softener

## Filling the salt reservoir.

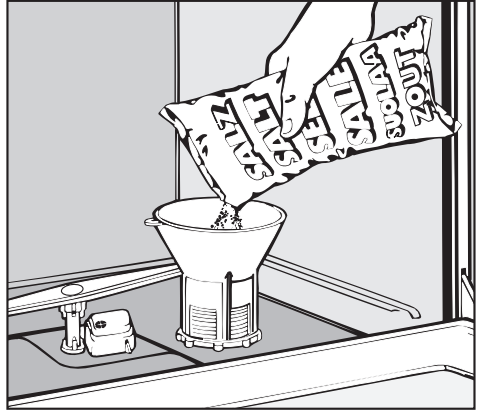
The salt reservoir should be filled before the first use and when the “Salt” indicator lamp lights up. Use water softener reactivation salt (1 - 4 mm grain size), as other salts may contain insoluble additives which can impair the functioning of the softener.

The salt reservoir holds approx. 4 lbs (2 kg) of salt.

Inadvertently filling the salt reservoir with dishwashing detergent will damage the water softener. Make sure that only water softener reactivation salt of the proper grain size is used.

### To fill the salt reservoir:

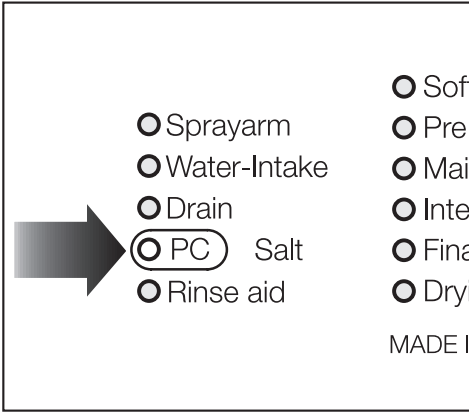
- Remove the lower basket.
- Unscrew and remove the salt reservoir cap.



Before adding salt for the first time: Fill the reservoir with approximately 2 quarts (2 l) of water.

- Place the funnel (provided) over the salt reservoir.
- Carefully fill with salt. As it is filled, water will run out.
- Clean any excess salt from the threads of the reservoir opening.
- Screw the cap on firmly.
- If the dishwasher will not be used immediately after reactivation, run the RINSE & HOLD program. This will remove any traces of salt from the cabinet.

## Salt indicator.



When the salt reservoir is empty, the “**PC** Salt” indicator lamp will light, notifying you that the reservoir should be refilled with reactivation salt.

After the reservoir has been filled, the water softener is automatically reactivated the next time the dishwasher is run.

The “Softener” indicator lamp illuminates during this process.

### Note:

If your water is very soft (below 7 gr/gal), the salt indicator lamp will stay on. In this case the reservoir should not be filled with salt. The indicator lamp will remain lit and should be disregarded or bypassed.

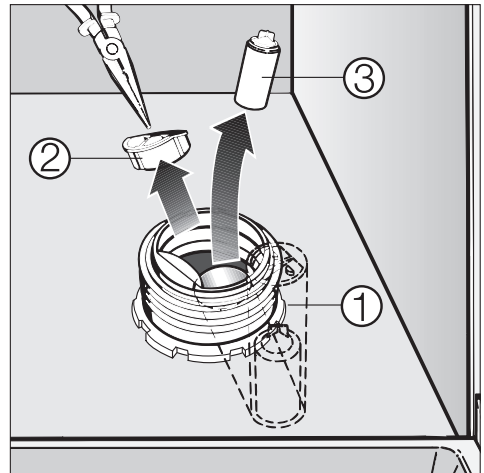
The “**PC** Salt” indicator lamp has also been designed for future program updates (PC). See the “After Sales Service” section for further details.

## Bypassing the Salt indicator lamp.

In order to bypass the salt indicator lamp, you will need a screwdriver and needle nose pliers.

- Remove the salt reservoir cap.

Looking into the salt reservoir, you will see the top of the float chamber on the right hand side ①.



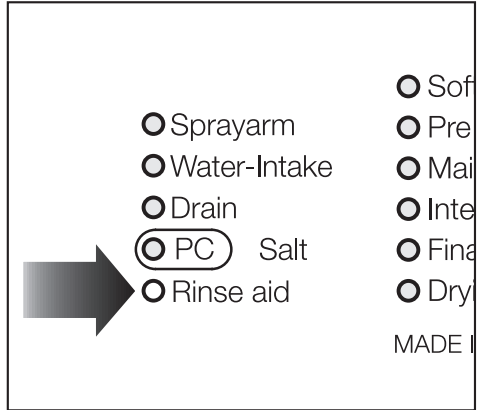
- Using a screwdriver, carefully pivot the float chamber towards the center of the reservoir.
- Using the needle nose pliers, first pull the cap ② off of the float chamber, then remove the float ③.
- Replace the float chamber cap, push the chamber back into its upright position, and replace the salt reservoir cap. The indicator lamp should now remain off.

# Adding rinse aid

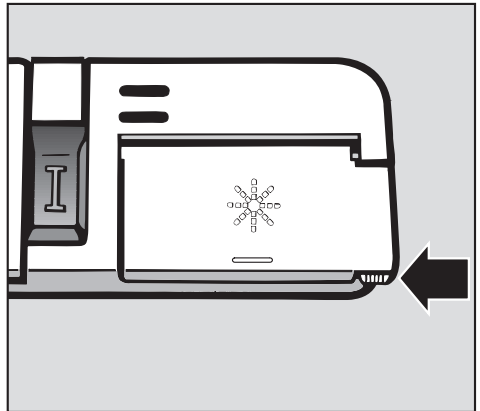
The use of Rinse Aid is recommended to prevent spotting on dishes and glassware that normally occurs during the drying phase of automatic dishwashing.

Inadvertently filling the rinse aid reservoir with detergent will always damage the reservoir. Only pour liquid rinse aid formulated for residential dishwashers into the reservoir.

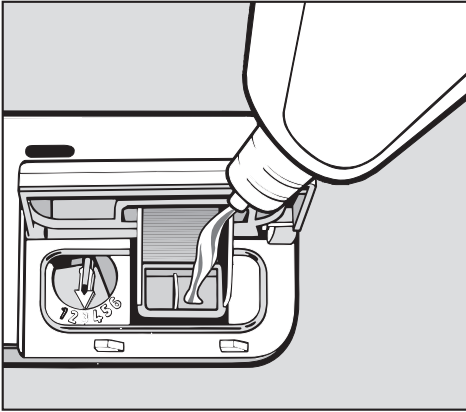
## Adding rinse aid.



- Add Rinse Aid before the first use and anytime the “Rinse Aid” indicator lamp comes on.



- Press the button in the direction of the arrow until the flap springs open.



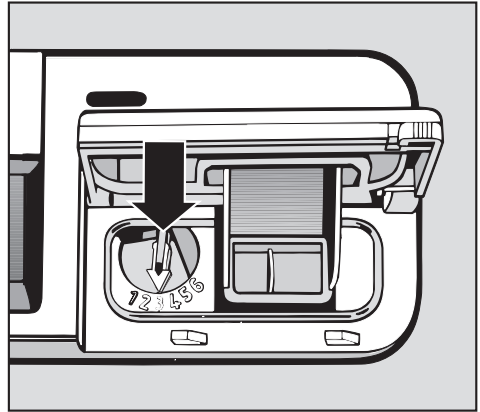
- Pour liquid rinse aid into the storage container until it is visible on the surface of the screen. Do not refill until the "Rinse aid" indicator lamp comes on.

Only use rinse aid specifically labeled for residential dishwashers. Inadvertently adding detergent will damage the rinse aid dispenser.

- Press on the flap until you hear it click shut. Failure to close it all the way will allow water to enter the reservoir during the wash program.
- Wipe up any spilled rinse aid.

The flap will remain closed during normal operation.

## Setting the dosage.



The dosage selector comes factory set to 3. It can be adjusted from 1 to 6, depending on your requirements. This setting dispenses approximately 3 ml rinse aid per program.

- Use a higher setting if spots appear on dry glassware.
- If streaking appears on dishes or glasses, use a lower setting.

# Loading the dishwasher

---

- Load the dishes so that water can reach all surfaces.
- Do not place dishes and cutlery inside other pieces where they may be concealed.
- Hollow items such as cups and glasses should be inverted and placed in the upper basket.
- Concave based items should be placed at an angle on top of the coffee bar (see page 25), so that water can run off them freely.
- Tall, narrow, hollow pieces should be placed in the center of the basket, rather than in the corners, to ensure adequate water coverage.
- Small cups and glasses should be placed on the cup racks. Taller mugs and glasses can be placed underneath the rack.
- The spray arms must not be blocked by items which are too tall or hang through the baskets. If in doubt, test for free movement by manually rotating the spray arms.
- Some food items may contain natural dyes that can discolor plastic items in the dishwasher ( e.g. carrots, tomatoes, ketchup, etc.). The stability of plastic items is not affected by this discoloration.

Some loading examples are shown on the following pages.

## Note

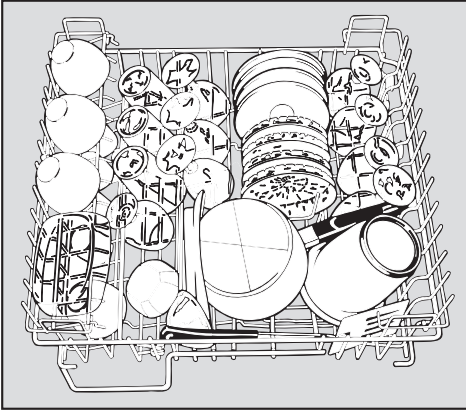
If the additional feature “Top Solo” has been selected with a wash program, all items must be loaded into the upper basket and cutlery tray. See the “Additional features” section for further information.

In areas where the water has high mineral content, it may be necessary to polish silverware after washing to achieve a high shine.

# Loading the dishwasher

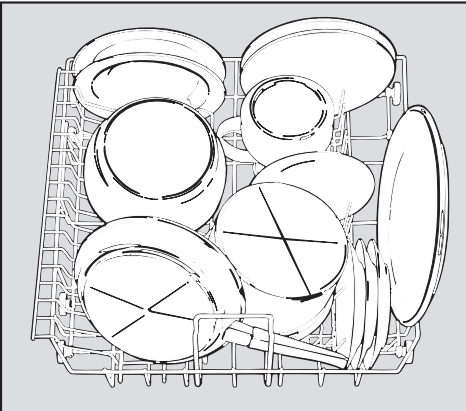
## Loading examples.

### Upper basket.



For small, lightweight, or delicate items such as cups, saucers, glasses, dessert bowls, etc.

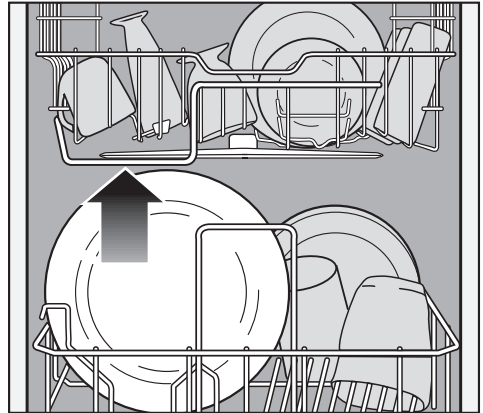
### Bottom basket.



For larger and heavier items such as plates, serving platters and saucepans. Glasses should only be placed in the bottom basket if the special glassware insert is used.

The plate inserts on the left and right rear of the lower basket are removable. To remove, push the handles of both inserts toward the inside of the basket. Once removed, the open area can accommodate large pots, casserole dishes, or accessory inserts (see “Accessories”).

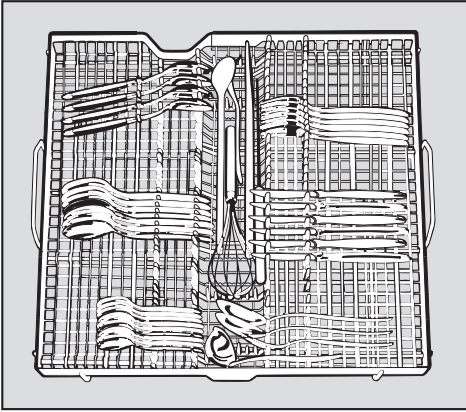
### Height limit



The height guard at the base of the upper basket is there to protect the middle spray arm. No object placed in the lower basket should stand higher than this guard.

# Loading the dishwasher

## Cutlery tray.

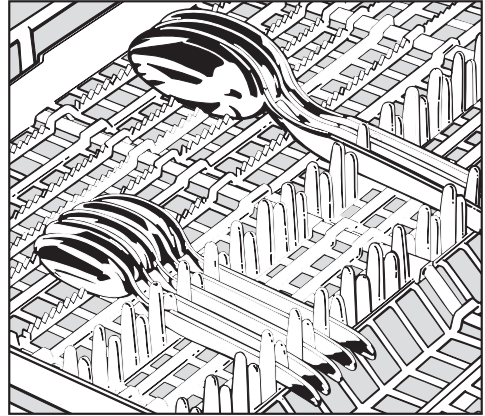


To make unloading easier, cutlery can be grouped in zones, one for knives, one for forks, etc.

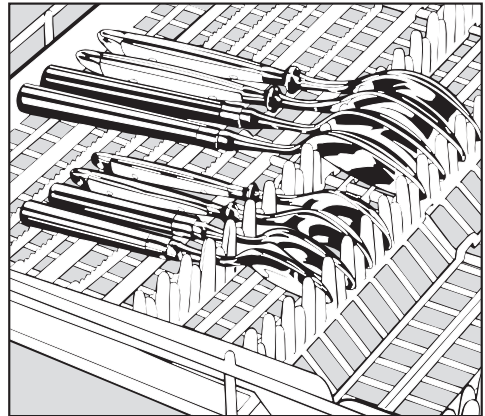
Larger items like sauce ladles, cake slices, long knives and mixing spoons can be placed lengthwise in the trough in the center of the tray.

Make sure that the upper spray arm can rotate freely after the tray is slid in, otherwise the rotation of the spray arm may be inadequate for a thorough cleaning.

The cutlery tray insert is removable.



Spoon heads should be placed so that water can run off them freely.



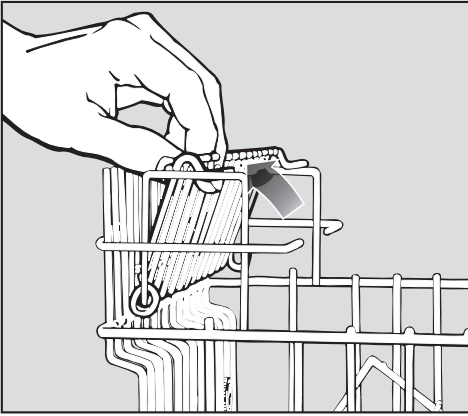
Place the heads of cutlery with round or oval handles in the holders. This will secure them during the wash cycle.

Place spoons so that their heads are secured in at least one holder so they cannot flip over and collect water.



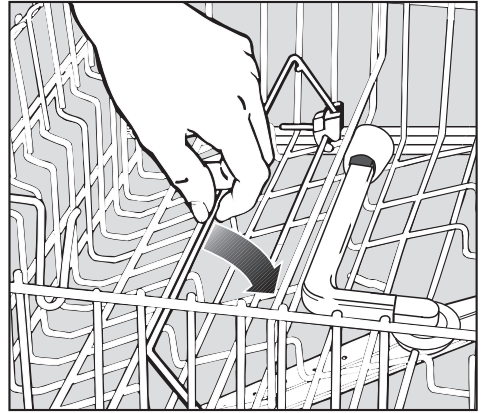
# Loading the dishwasher

## Adjustable cup racks.



To make room for tall glasses, raise the rack. Lower it to double stack smaller items.

## Coffee bar.



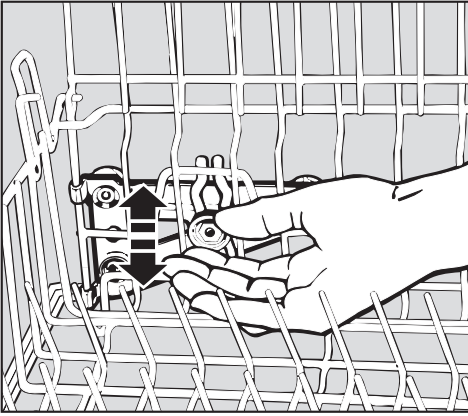
To allow water to run off of the bottom of coffee mugs, place them at a slant on top of the coffee bar. The bar can also be used as a separator between two rows of glasses to protect them and keep them from leaning against each other. To stack wide items, flip the bar to the right.

# Loading the dishwasher

## Adjusting the upper basket.

(depending on model)

The upper basket height is adjustable. If tall items of dishware are being washed, more room can be obtained by raising or lowering the upper basket.



- Pull out the upper basket and loosen the two locknuts on either side of the basket.
- Adjust the basket up or down to the desired height.
- Tighten the locknuts.

The upper basket can also be set at an angle, with one side high, and the other side low.

Depending on the setting of the upper basket, the following dishware dimensions can be accommodated:

Upper basket position	Upper basket diameter	Lower basket diameter
Top	8" (20.5 cm)	12" (30 cm)
Middle	9" (22.5 cm)	11" (28 cm)
Bottom	10" (24.5 cm)	10" (26 cm)

# Items not suitable for dishwashers

---

- Cutlery with wooden handles.
- Wooden cutting boards.
- Glued items such as old knives with handles that are glued together around the shank of the blade.
- Hand made craft items.
- Copper or tin items.
- Plastic items which are not heat resistant.

## **Please note:**

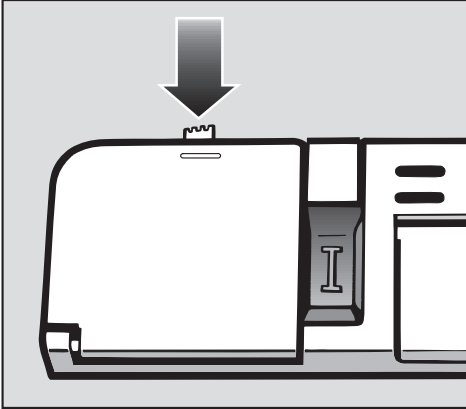
- Silver or aluminum items may suffer some discoloration.
- Aluminum parts (eg. oven hood grease filters) should not be cleaned using commercial or industrial detergents. These high alkaline detergents may damage the machine, and in extreme instances, cause explosive chemical reactions.
- Silverware previously cleaned with a silver polish may be damp or spotted at the end of a program where water has adhered to the polish. This can be rubbed off with a soft, dry cloth. Silver that has previously been cleaned in an immersion dip is usually dry at the end of a program, but may discolor (tarnish).
- Colors on dishware that have been painted over the glaze may fade over time.
- Clouding may occur on glasses after frequent washing.

## Miele recommends:

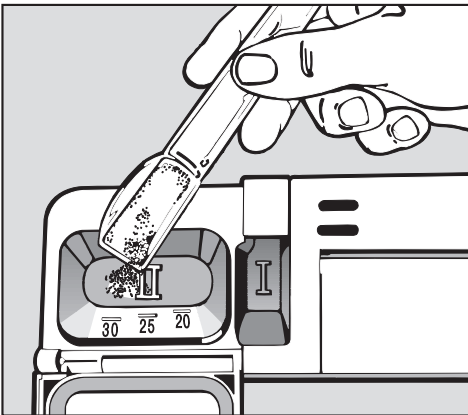
- Wash delicate glassware using the ECONOMY program or the CHINA & CRYSTAL program with a temperature of 45 °C/115 °F. This will reduce the risk of clouding.
- There are no standard guidelines for washing glassware. When in doubt, wash by hand.
- When purchasing new dishes and cutlery, make sure they are dishwasher safe.

# Adding detergent

Use only powder detergents formulated for residential dishwashers.  
**Do not use gels or liquid detergents.**



- Press the latch on the detergent dispenser. The cover will spring open.
- Fill the dispenser with one to two tablespoons of powder detergent.



- Close the cover. The cover will always be open at the end of a wash program (excluding the RINSE & HOLD program).

Generally, filling the dispenser with one to two tablespoons of detergent will be sufficient to ensure thorough cleaning. If dishes are extra dirty, or if the soil has been allowed to dry on the dishes before washing, a program utilizing a pre-wash cycle should be selected. In this case, extra detergent can be added to the small compartment labeled ( I ) in the center of the dispenser.

Dishwasher detergents contain irritants and corrosive ingredients. They can cause burns in the mouth and throat if swallowed, or inhibit breathing. Keep children away from detergent and from the dishwasher when the door is open.

**To avoid the danger of children coming into contact with dishwasher detergent, only fill the detergent dispenser immediately before starting the program.**

## Capacities:

Compartment I (prewash) takes a maximum of 1 ounce (25 ml) and Compartment II (main wash) takes a maximum of 3 ounces (80 ml) when completely filled. There are horizontal marks to assist you in filling Compartment II. The marks indicate a level of approximately 3/4, 1, and 1 1/4 ounces (20, 25 and 30 ml respectively).

The wash program chosen should depend on the type of dishes and the degree of soiling.

In most cases the LIGHT WASH program, a NORMAL program or the INTENSIVE program will give excellent results.

The available programs and some of their applications are listed in the Program Chart on the next two pages.

### “ENERGY SAVER” Program.

- Use this program for lightly to normally soiled dishware.

**A warm water intake (temperature of the incoming water) of at least 45 °C/115 °F is necessary for this program.**

Water is not heated in this program. Only 0.10 kWh of electricity (approx.) is used during this cycle.

The drying result may not match that of a program with a full drying cycle.

The higher the temperature of the intake water, the better the drying results.

- Open the door of the dishwasher 2-3 inches (5-6 mm) at the end of the program to speed the drying process.

# Program chart

Program	When to use	Detergent		
		containing chlorine <sup>1)</sup>		chlorine free <sup>2)</sup>
		Compartment I (Pre-wash)	Compartment II (Main wash)	Compartment II (Main wash)
Universal Programs				
LIGHT WASH 55°C/130 °F	for <b>normal</b> everyday loads, particularly suitable for chlorine-free detergents		100 %	100 %
NORMAL 55 °C/130 °F	for <b>normal</b> everyday loads	20 %	80 %	100 %
INTENSIVE 55 °C/130 °F	as NORMAL 55 °C/130 °F, but with longer wash time for <b>heavily soiled</b> loads, also suitable for chlorine-free detergents	20 %	80 %	100 %
NORMAL 65 °C/150 °F	as NORMAL 55 °C/130 °F, but with higher wash temperature for <b>stubborn dried-on particles</b>	20 %	80 %	100 %
Special programs				
ENERGY SAVER	for <b>lightly to normally soiled</b> dishware only select ENERGY SAVER if the dishwasher is connected to a hot water supply (minimum temperature 45 °C/115 °F). – see chapter "Choosing a program"	20 %	80 %	100 %
POTS & PANS 75 °C/170 °F	For pots, pans and dishware with <b>dried on particles</b> of food and <b>very heavy soiling</b> .	20 %	100 %	120 % <sup>4)</sup>
ECONOMY 55 °C/130 °F	for <b>full</b> loads with <b>very light soiling</b> (e.g. coffee cups), or: for <b>half a, normal</b> everyday load		50 % <sup>3)</sup>	50 % <sup>3)</sup>
CHINA & CRYSTAL 45 °C/115 °F	"Gentle program", for <b>lightly soiled</b> and <b>heat sensitive</b> tableware.		50 % <sup>3)</sup>	50 % <sup>3)</sup>
SHORT 45 °C/115 °F	"Quick program", for <b>lightly soiled</b> dishware (e.g. party dishware).		50 % <sup>3)</sup>	50 % <sup>3)</sup>
RINSE & HOLD	For rinsing dishes when a complete cycle is not needed.			

The dispensing method will depend on the type of detergent being used:

1) Use this method for:

- detergents which contain phosphates and chlorine.

**Divide the total amount, as shown, between compartment I and compartment II.**

2) Use this method for:

- detergent which is chlorine and phosphate free.
- detergent which is chlorine free but contains phosphates.

**In this instance the whole amount is placed in compartment II.**

3) Use half of your normal amount of detergent.

4) Use slightly more detergent than usual for this cycle.

For the LIGHT WASH, NORMAL and INTENSIVE programs, one to two tablespoons of detergent is usually sufficient for excellent wash results.

# Program chart

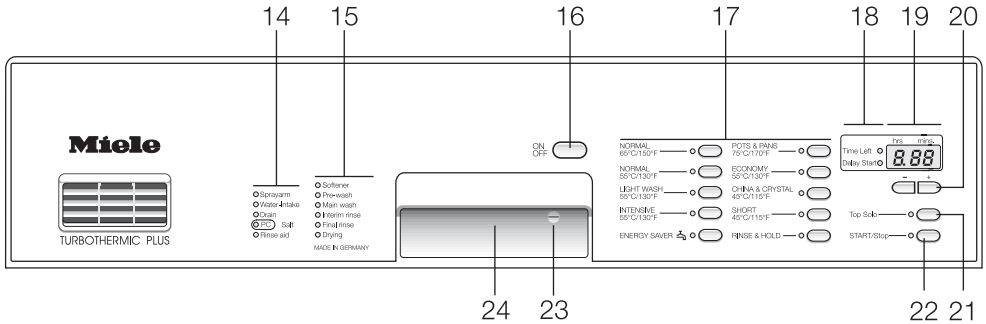
Program cycle						USAGE	
						Electric (kWh)	Water
1. Preliminary pre-wash	2. Pre-wash	Main wash	Interim rinse	Final rinse	Drying	Water hot (49 °C / 120 °F)	Liters/ Gallons <sup>5)</sup>
		X	X	X	X	1.1	14/3.7
	X	X	X	X	X	0.9	19/5.0
	X	X	X	X	X	1.2	19/5.0
	X	X	X	X	X	1.2	19/5.0
X	X	X	X	X	X	0.1	24/6.3
X	X	X	X	X	X	1.6	24/6.3
		X	X	X	X	0.8 <sup>6)</sup>	14/3.7
	X	X	X	X	X	0.5	19/5.0
		X	X	X		0.6	14/3.7
	X					0.06	5/1.3

5) Average consumption values are for a water hardness of up to 17 gr/gal.

6) With half loads (7 place settings).

X = cycle used

# Operating the dishwasher



## Turning on

- Close the door.
- Open the water valve (if closed).
- Press the “ON/OFF” button (16).

The indicator lamps (17) next to the Program Selection Buttons and the decimal point (19) in the display will be lit.

## Starting a program

- Press a Program Selection Button (17), to select a program. The following will occur:
  - a) the lamp next the selected program will remain lit while the others go out,
  - b) the “START/Stop” lamp will light,
  - c) the approximate length of the selected program will appear in the display, and
  - d) the “Time left” lamp lights.
- Before pressing the “START/Stop” button, select any other desired options (e.g. “Delay start” or “Top Solo”. See the “Additional features” section).
- Press the “START/Stop” button (22).

The indicator lamp next to the button will go out, and the program will begin.

To prevent children from coming into contact with detergent, only place it in the dispenser immediately before starting the program.

## Sequence indication (15)

Once a program has started, the sequence indicator lamps (15) show the actual program stage reached by the dishwasher.

When required, the water softener reactivation process is performed before the wash program. It may last several minutes. During this process the “Softener” indicator will be on.

The hardness of the water supply will dictate how often (after how many washes) the water softener needs to be reactivated. For example, with a water hardness of 21 gr/gal, reactivation will take place after every 3 programs. With a water hardness of 8 gr/gal, reactivation will only take place after 11 programs.



## Time display (19)

When the “Time left” indicator is on, the display is showing the time remaining in the wash program.

When starting a program, the “Time left” can vary, even if the identical program has been run before.

The calculated time is partially dependent on the temperature of the intake water. When the dishwasher is turned on for the first time, the time shown assumes an intake temperature of 60 °F (15 °C).

For each subsequent program, the actual temperature of the previous programs intake water is used in the “Time left” calculation. Due to this continuous updating, the “Time left” can vary, even for the same program.

## End of a program

When a program is finished, all the sequence indicator lamps (15) will be off, and “0” will be shown in the time display.

The program indicator lamp (17) and the lamps for any additional features selected (e.g. Top Solo) will remain lit until the door is opened.

The dishwasher can be unloaded as soon as the “0” appears in the display (see Unloading the Dishwasher).

If the dishes are not needed immediately however, leaving the door closed while “0” is displayed will allow the fan to run for a few more minutes and ensure thorough drying.

## Turning off the dishwasher

At the end of a program:

- Press the “ON/OFF” button (16).

If the dishwasher is not to be used for an extended period (e.g. while on vacation), it is recommended that the water supply valve be shut off.

Your Miele dishwasher is designed to shut off the water flow and drain the machine in the rare event of a valve failure. In order for this function to be active, the door must be shut and the machine must be “ON”.

# Operating the dishwasher

---

## Interrupting a program

A program can be interrupted by opening the door.

If the door is then closed, the program will continue from the point it was at before the door was opened.

### **Warning!**

**The water in the dishwasher may be hot, and steam may be present! Only open the door if absolutely necessary and exercise extreme caution when doing so. The danger of burns and scalding exists. Once the door has been opened, allow 20-30 seconds for the internal temperature to equalize before closing it again, and make sure it clicks into place.**

## Changing a program

### **If the “START/Stop” button has not yet been pushed:**

- Select the new program.
- Select any additional features (e.g. “Delay start” or “Top Solo”) desired.
- Press the “START/Stop” button (22).

The indicator lamp next to the “START/Stop” button will go out and the program will start.

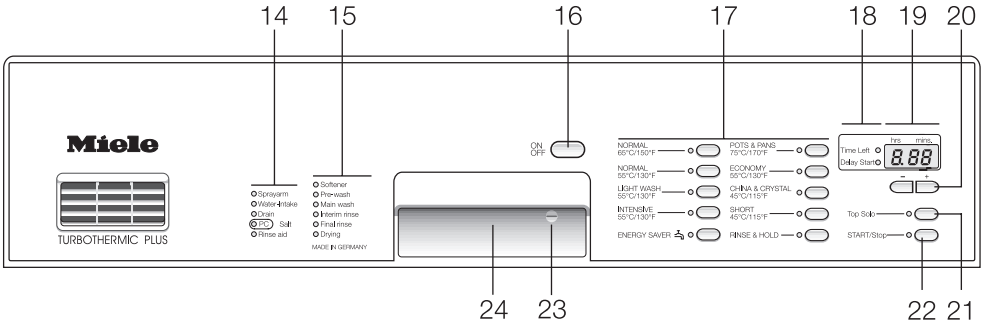
### **If the program is already running:**

- Press the “START/Stop” button (22) for at least one second.

The indicator lamp next to the Program Selection Button and the decimal point in the Time display will light.

- Select the new program.
- Select any additional features (e.g. “Delay start” or “Top solo” desired).
- Press the “START/Stop” button (22).

The indicator lamp next to the “START/Stop” button will go out and the new program will begin.



## Delay start (20)

The start time of a program can be delayed up to 24 hours in order to take advantage of off peak utility rates that exist in many areas.

A delay time of between 30 minutes and 9 hours 30 minutes can be selected in 30 minute intervals.

A delay of 10 hours or more can be set in 1 hour intervals.

## To set a delay time:

- Turn on the dishwasher using the “ON-OFF” button (16).
- Select the desired wash program.

The duration of the selected program will be displayed and the “Time left” lamp (19) will light.

- Press the “+” or “-” button (20).

The delay time used previously will be displayed and the “Delay start” indicator lamp will light.

- Press the “+” or “-” button (20) to increase or decrease the delay time.
- Press the “START/Stop” button (18).

If the delay time is 10 hours or longer, the display will countdown in 1 hour increments.

If less than 10 hours is set, it will count down in minutes.

# Additional features

---

## Example of how delay times are shown:

up to 59 minutes: **5 9**

between 1 hour and  
9 hours - 30 minutes

(example – 5 1/2 hours): **5.3 0**

above 10 hours: **1 5 h**

The program will start automatically when the countdown reaches “0” and the “Delay start” lamp goes out. The “Time left” lamp will light and the display will show the time left in the current program.

To prevent the detergent from dissolving prematurely when using the “Delay Start” feature, make certain that the dispenser is dry before adding detergent.

## To start a program before the Delay Start period has ended:

- Press and hold the “START/Stop” button (22) for at least one second.

The indicator lamps next to the Program Selection Buttons and the decimal point in the time display will light.

- Select the desired program (17).
- Select “Top solo” if desired.
- Press the “START/Stop” button (22).

The indicator lamp next to the “START/Stop” button will go out and the program will begin.

### Top Solo (21)

#### (for smaller amounts of dishware)

When this feature is selected, the majority of the water is directed to the top and middle spray arms of the dishwasher. Its use is recommended when all the dishes or cutlery needing cleaning can be loaded into the upper basket and cutlery tray.

Note:

Lightly soiled plates or serving platters can still be placed in the bottom basket if large spaces are left between them. Do not place dishes, bowls or other hollow containers in the bottom basket. Adjusting the upper basket to its lowest position will allow it to accommodate larger plates.

Because smaller amounts of dishware are being washed, the amount of detergent used can be reduced accordingly.

Using "Top Solo" will also save water and energy.

For example, using Top Solo with the INTENSIVE 55°C/130°F program uses 3.2 gallons (12 liters) of water instead of the usual 5 gallons (19 liters).

"Top Solo" can be selected with all wash programs.

- Turn on the dishwasher using the "ON-OFF" button (16).
- Select a program.

The length of the program will appear in the time display (19) in hours and minutes and the "Time left" lamp will be lit.

- Press the "Top Solo" button (21).

For all programs except "Energy Saver" and "Rinse & Hold", the "Top Solo" indicator lamp will illuminate and the program duration will change.

- Press the "START/Stop" (22) button.

The indicator lamp next to the "START/Stop" button will go out and the program will begin.

At the completion of the program "Top Solo" will be canceled.

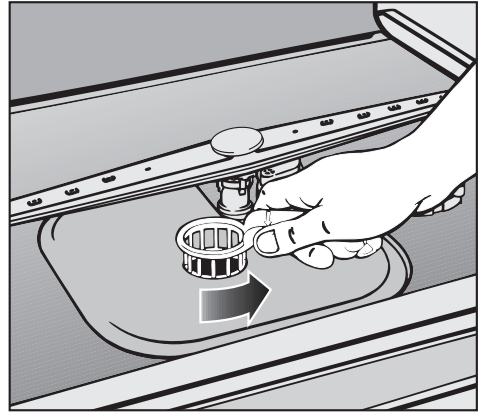
## Unloading the dishwasher

---

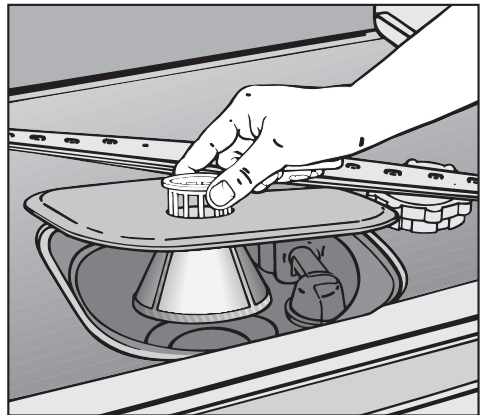
- Dishes tend to break and chip easier when they are hot. Allow the dishes to cool until they are comfortable enough to handle before unloading them.
- If the door is opened at the completion of the drying cycle, the dishes will cool much faster.
- Unload the lower basket first, then the upper basket and cutlery tray. This will prevent water drops from the upper basket or cutlery tray from falling onto the dishes in the lower basket.

### Cleaning the filters in the wash cabinet.

The combination filter in the base of the wash cabinet should be regularly inspected and cleaned as necessary. Any broken glass or dishware should be removed immediately upon discovery. Use caution when cleaning the filters, non-return valve or drain pump, as glass or bone splinters may be caught in the bottom of the wash cabinet.



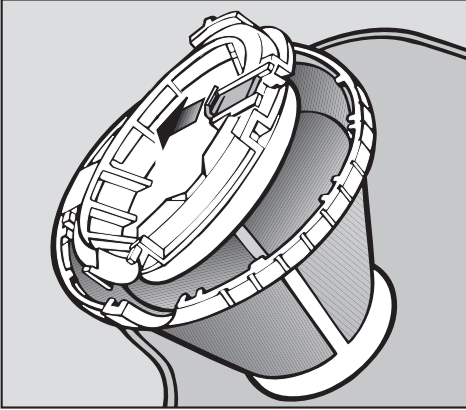
- Turn the handle counterclockwise to release the filters.



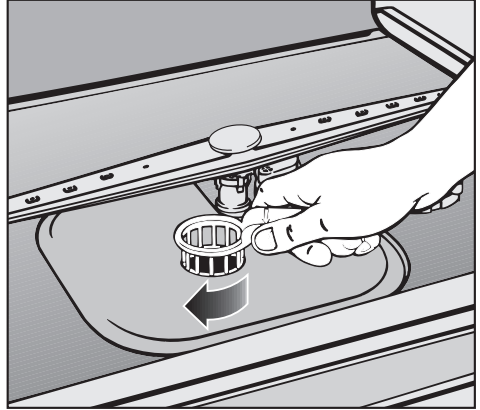
- Lift the combination filter out of the machine. Remove any coarse particles and rinse it under running water. A nylon brush can be used, if necessary.

## Cleaning and care

---



- Turn the combination filter over and open the coarse filter cover by pulling back on the locking tab.
- After cleaning, make sure that the coarse filter cover is properly locked in place.

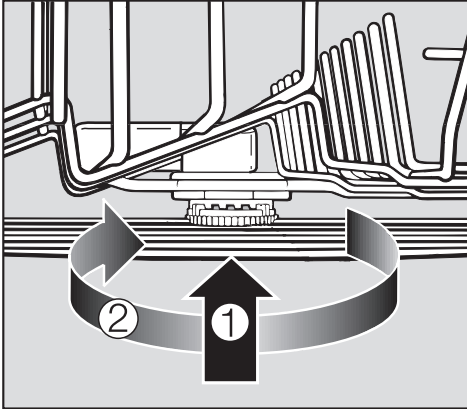


- Replace the combination filter so that it lies flat in the base of the wash cabinet. Secure it by turning the handle clockwise.

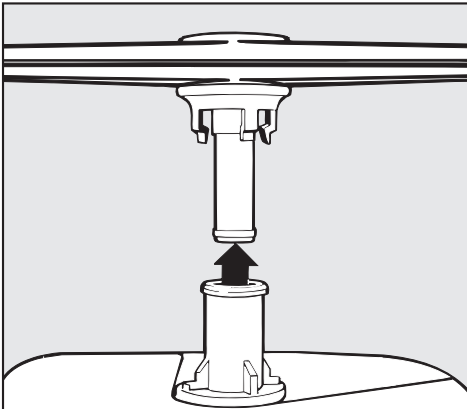


## Cleaning the spray arms.

On rare occasions particles of food may get stuck in the spray arm jets. They can be easily cleaned as follows:



- To remove the middle spray arm located beneath the upper basket, gently push upwards until it engages in the ratchet ①, then unscrew it ②.



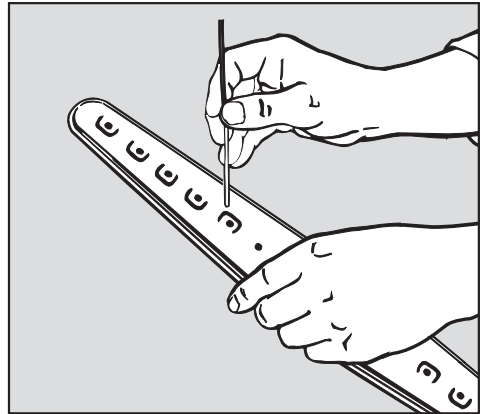
- Lift up on the lower spray arm to remove it.

## Dishwashers with cutlery basket:

- Unscrew the upper spray arm.

## Dishwashers with cutlery tray:

- Pull out the cutlery tray.
- Push up on the upper spray arm to engage the tooth-wheel mechanism and then unscrew the spray arm.



- To clean the spray arms, use a pointed object to push the the food particles into the jets.
- Rinse under running water to complete the process.
- After cleaning, replace the spray arms.

**Important:**  
After replacing the spray arms, check that they rotate freely.

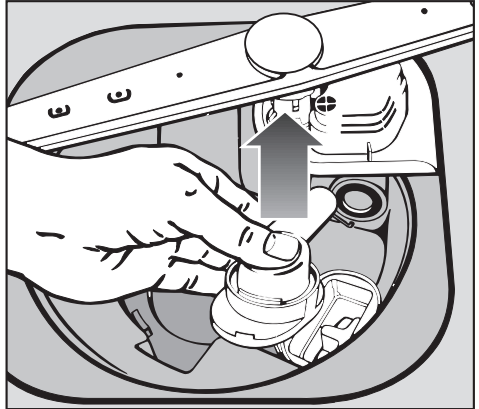
# Cleaning and care

## Cleaning the drain pump and non-return valve.

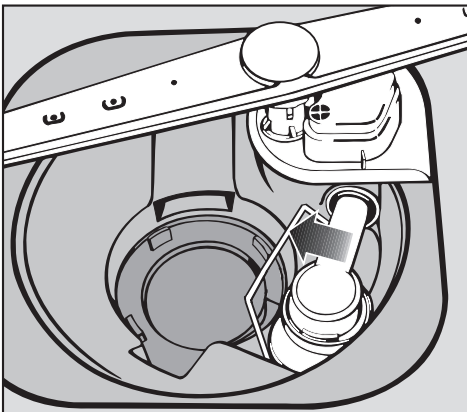
Use caution when cleaning the filters, non-return valve or drain pump, as glass or bone splinters may be caught in the bottom of the wash cabinet.

If the water in the dishwasher is not completely drained at the end of a program, the drain pump or non-return valve may be blocked. To clean them:

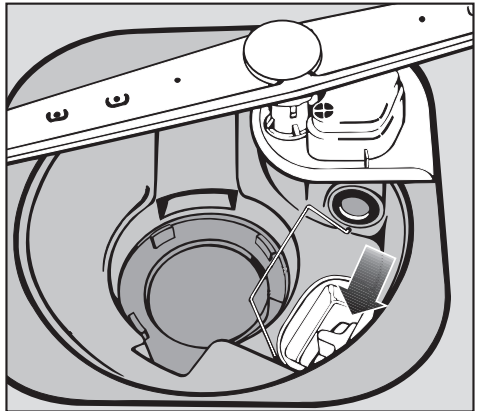
- Remove the combination filter.
- Use a jug or bowl to scoop the water out of the wash cabinet.



- Pull out the non-return valve.
- Rinse the non-return valve under running water.



- Tilt the locking clamp to the side.



The drain pump is situated under the non-return valve (see arrow).

- Before replacing the non-return valve, check to make sure that nothing is obstructing the drain pump. Spin the impeller several times in both directions; it should turn smoothly.
- Carefully replace the non-return valve and secure it with the locking clamp.
- Replace and secure the combination filter.

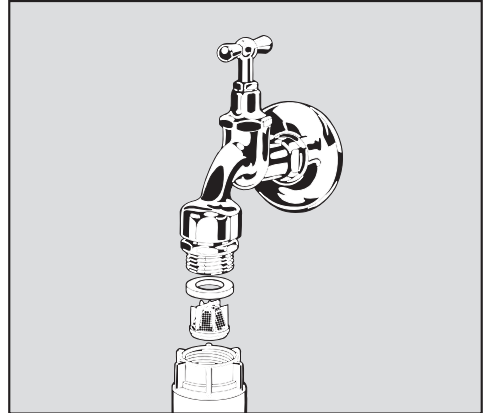
## Cleaning the water intake filter.

The water valve housing on the inlet hose contains electrical components and should not be immersed, or run through water.

A filter is incorporated in the intake hose that is attached to the dishwasher's main shutoff valve. If your water supply is hard, or the pipes contain sediment; this filter may clog and prevent sufficient water from entering the wash cabinet. It can be cleaned as follows:

## Cleaning the filter.

Disconnect the dishwasher from the electrical supply (unplug it or shut off the circuit breaker).



- Turn off the main shutoff valve and unscrew the intake hose.
- Carefully remove the rubber seal.
- Remove the filter using needle nose pliers and clean it by rinsing under running water.
- Replace the filter and seal. Make sure they are seated correctly.
- Screw the intake hose back onto the water valve, making certain it is not cross-threaded.
- Slowly turn on the valve and test for leaks.

## Installing an in-line water filter.

- If your water supply contains a large number of insoluble substances, we recommend installing a filter between the valve and the intake hose connection. These filters can be obtained from the Miele Parts Department.

# Cleaning and care

---

## Cleaning the wash cabinet.

Generally the wash cabinet is self-cleaning, provided that the correct amount of dishwasher detergent is used.

If lime scale or grease deposits form, they can be removed with a special dishwasher cleaner available from the Miele Parts Department.

## Cleaning the door and the door seal.

- Wipe the door seal with a damp cloth to remove any food particles.
- Food residue and drink spillage should be wiped from the sides of the dishwasher door. These areas are not normally cleaned by water from the spray arms.

## Cleaning the control panel.

- The control panel can be cleaned using a damp cloth and mild detergent.

Do not use abrasive, all purpose, or glass cleaners, as their use may damage plastic surfaces.

## Cleaning the door panel.

- Plastic laminate panels should be cleaned using a suitable, non-abrasive cleaning agent, or mild soapy water.
- Panels made from wood should be cleaned using a soft damp cloth and an appropriate wood cleaner.

With the aid of the following guide, minor problems can be easily corrected. If you are unable to correct the problem, please contact the Miele Service Department.

Any work on the electrical components of the appliance should only be performed by a qualified and trained person in accordance with local and national regulations. Unauthorized or incorrect repairs could cause personal injury and/or damage the machine.

## Problems/possible causes

### The dishwasher does not start

- The door is not closed properly.
- The plug is not inserted properly.
- The circuit breaker is defective or has tripped.

### White residue is visible on cutlery and dishware

- No salt in the salt reservoir.
- Fill the salt reservoir with salt as outlined in the “Water Softener” section.
- The salt reservoir cap has not been screwed on properly.
- Not enough rinse aid is being dispensed.
- Use a higher dosage setting - see “Adding rinse aid”.

### The dishes are not clean.

- The dishes are loaded incorrectly.
- The correct amount of detergent was not used - see “Program chart”.
- The filters in the wash cabinet are not clean - see “Cleaning and care”.
- The spray arm jets are blocked - see “Cleaning and care”.
- The wrong program was selected - see “Program chart”.

### Water remains in the dishwasher at the end of a program

- The drain hose is kinked or clogged.
- The drain pump or non-return valve may be blocked – see “Cleaning and care”.

Before attempting a repair:

- Press the START/Stop button until the Program Selection indicator lamps light.
- Turn off the dishwasher using the ON/OFF switch.

# Problem solving guide

---

Before attempting any repairs outlined on this page, first:

- Press and hold the START/Stop button until the Program Selection indicator lamps light, **then**
- Turn off the dishwasher using the ON/OFF switch.

## The wash cycle finishes too early and the “Drain” Indicator lamp flashes

- The drain hose is kinked.
- The drain pump or non-return valve may be blocked – see “Cleaning and care”.

## The “Spray arm” indicator lamp flashes

- The middle spray arm is obstructed by an item in the basket.
- Open the dishwasher door and remove the obstruction.
- The spray arm jets are blocked - see “Cleaning and care”.

## Shortly after starting a program the “Water intake” indicator lamp flashes

- The water shutoff valve is closed.

- Open the valve. The dishwasher should continue the program.

If the program does not continue:

- Press the START/Stop button until the Program Selection indicator lamps light, then
- Turn off the dishwasher using the ON/OFF switch.
- Start the program again - see “Starting a program”.

- Too little water may be entering the machine due to insufficient water pressure.

- The intake hose filter is clogged - see “Cleaning and care”.

## The “Water Intake” indicator lights during the “ENERGY SAVER” program.

The “ENERGY SAVER” program requires a water supply temperature of at least 45 °C/115 °F. If the incoming water is less than this temperature, the “Water Intake” lamp illuminates (see also “Program selection”). If your hot water system has been used recently, not enough hot water may have been available to adequately clean the dishes.

- If necessary, repeat the program.
- If the “Water Intake” lamp lights again, select a different program.

## The wash cycle finishes too early and three horizontal lines “---” appear in the time display.

- Press the START/Stop button until the Program Selector indicator lamps light.
- Turn off the dishwasher using the ON/OFF switch.

After 5 seconds:

- Turn on the machine.
- Re-select the program and press the START/Stop button.

If the lines reappear in the display there is machine fault. Please call the MIELE Service Department.

Under certain circumstances you may still be able to use the “RINSE & HOLD” and “ENERGY SAVER” programs. The “Time left” will be displayed once the program has begun.

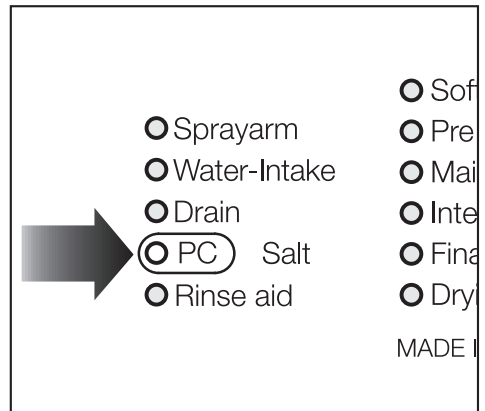
## After sales service

If you are still having problems, please contact the Miele Service Department. (See back cover for addresses).

Please have the model and serial numbers of your appliance available. This information can be found on the data plate on the upper edge of the door.

## Program update function - PC

The Salt indicator lamp has a second function: It allows a technician with the proper equipment to change the programming of the dishwasher to take advantage of the latest technological developments.



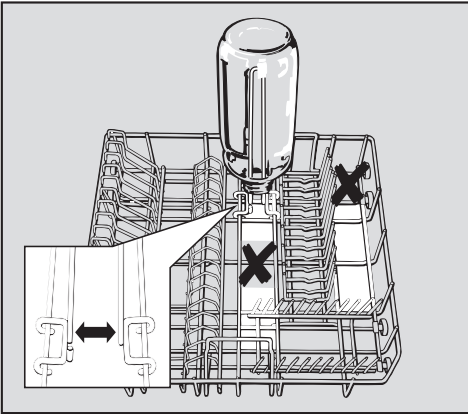
For instance, if a detergent becomes available that gives good wash results using only cold water, the wash programs can be changed to take advantage of this development to help reduce your energy costs.

# Accessories

---

## Bottle holder.

(depending on model)



A bottle holder (for milk or baby bottles) is available for use in the lower basket.

To achieve the proper cleaning results, the bottle holder should only be placed in the positions shown in white. **Do not** place them in the **X** marked positions.

## Glass insert for the bottom basket:

provides the ability to safely wash glasses in the bottom basket. (Only available for models with removable inserts in the lower basket.)

## Glass insert for the upper basket:

provides special support for long stemmed glassware.

## Decor panel kit (GDU):

to change an "i" model into a "u" model dishwasher.

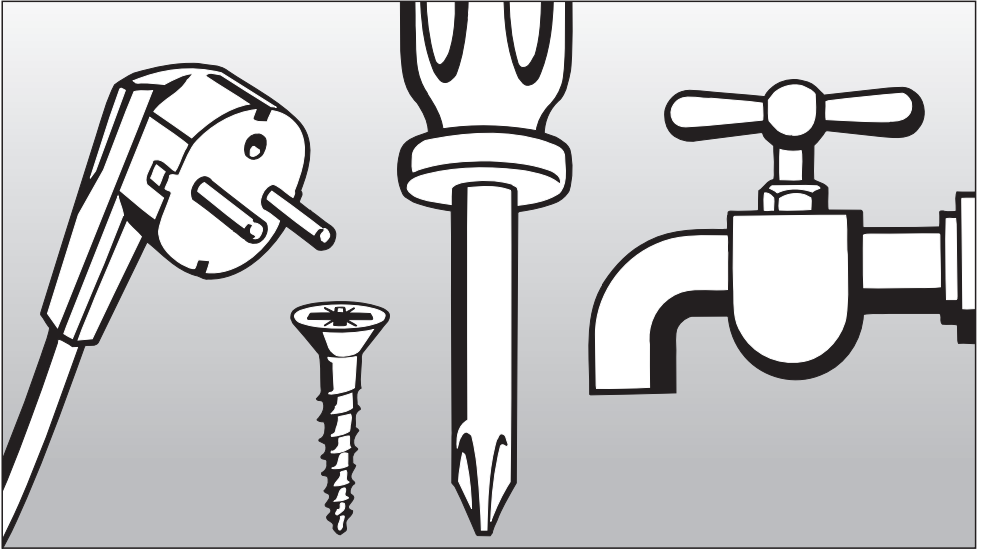
## Side mount brackets:

For installing a dishwasher under Corian® or granite countertops.

These and other accessories are available through your Dealer or the Miele Parts Department.



## Installation instructions



# Contents

---

<b>Dishwasher installation</b> . . . . .	51
1. Installing the steam deflector. . . . .	51
2. Installing the dishwasher under the countertop. . . . .	52
3. Installing the Control panel . . . . .	54
4. Aligning the control panel with the drawer fronts. . . . .	55
5. Installing the custom door panel. . . . .	55
6. Adjusting the door springs. . . . .	59
7. Securing the dishwasher to the countertop. . . . .	59
8. Installing the toekick. . . . .	61
<b>Electrical connection</b> . . . . .	64
<b>Plumbing</b> . . . . .	66
<b>Technical Data</b> . . . . .	70

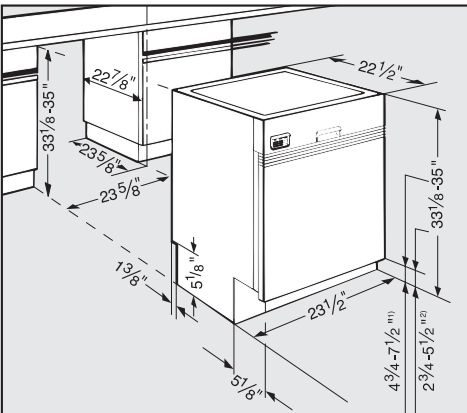
The “i” model dishwasher is specially designed for installation under a continuous countertop.

A panel can be custom made for installation on the front of the dishwasher, assuring a perfect match with the kitchen cabinetry.

If a standard non-cabinet matching dishwasher installation is desired, the “i” model dishwasher can be converted into a “U” model through the addition of a GDU 60/65 decor kit. The decor kit comes supplied with separate installation instructions.

To ensure stability, these dishwashers should only be installed under a continuous countertop which is securely fastened to the cabinet base units.

Dimensions:



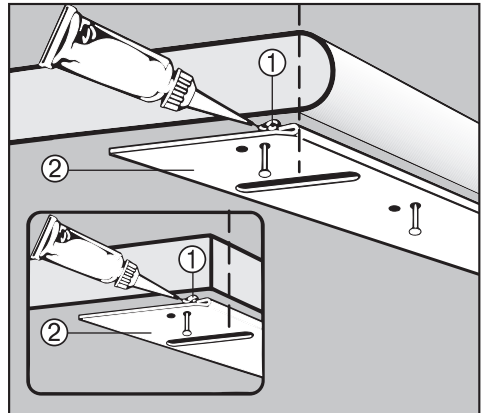
1) with 35" (890 mm) machine height

2) with 33 1/8" (840 mm) machine height

Range of adjustment is approximately 2" (5 cm).

## 1. Installing the steam deflector, (if applicable).

A stainless steel plate is supplied to protect the underside of the countertop against steam rising from the dishwasher when the door is opened. If the countertop is made of Corian®, granite, marble or other solid, waterproof material, the steam deflector should not be used.



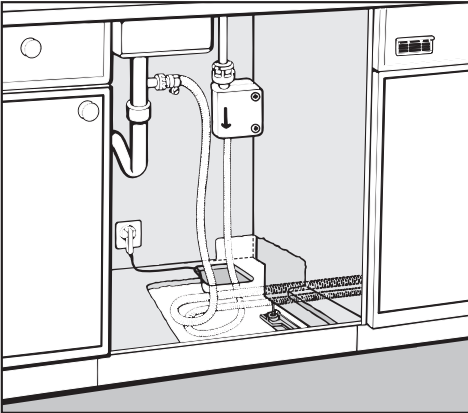
- Squeeze a bead of sealant from the supplied tube into the angle formed by the curved edge ① of the cover plate.
- Align the plate ② with the lower front edge of the countertop (see illustration) and use the supplied tacks to nail it in place.

On countertops with wood or laminate edging, the tacks should be nailed through the rear holes of the plate.

# Dishwasher installation

## 2. Installing the dishwasher under the countertop.

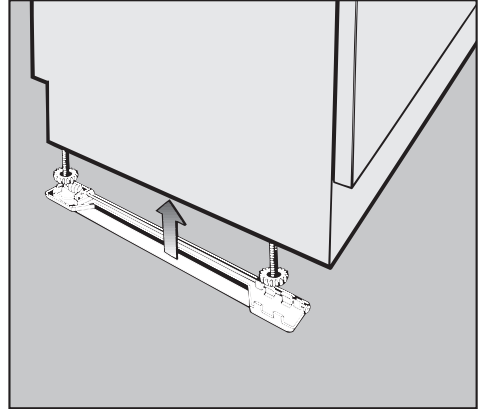
It is preferable to install the main water and electric supplies so that they can be accessed through an adjacent cabinet, rather than situating them behind the machine. See the "Plumbing" and "Electrical" sections for proper connection procedures before continuing.



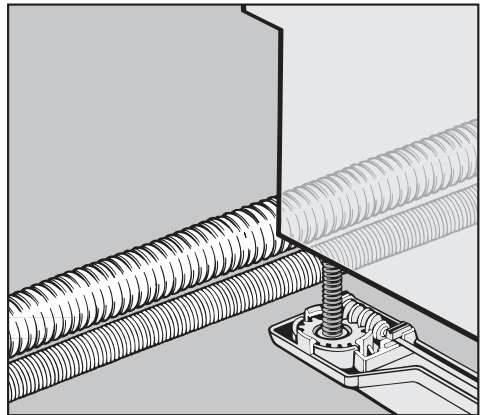
Certain steps in the installation procedures require that the dishwasher be pulled out of its opening. For this reason, perform the final plumbing and electrical connections after the machine has been levelled and the front panel has been mounted.

### Install the slides.

Two slides are included and should be installed on the feet of the dishwasher before the machine is pushed under the countertop. This will allow the machine to slide easier, protect the floor, and allow adjustment of the rear leveling legs from the front of the machine.

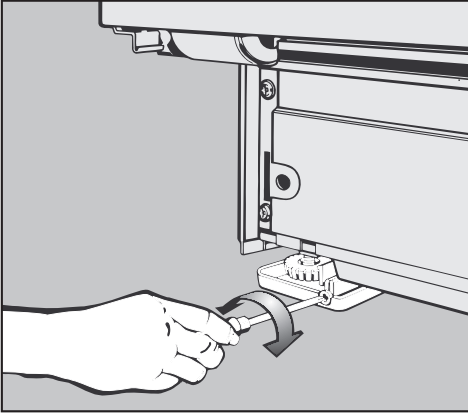


- Place the slides, with the ratchet at the rear, onto the dishwasher legs.
- Unscrew the legs to raise the machine to within 1/4" (5 mm) of the underside of the countertop, and check that the machine is level, before sliding it into its opening.



- Push the machine into the opening, making sure the electrical cable and hoses can reach their connection points without being kinked.

## Dishwasher installation

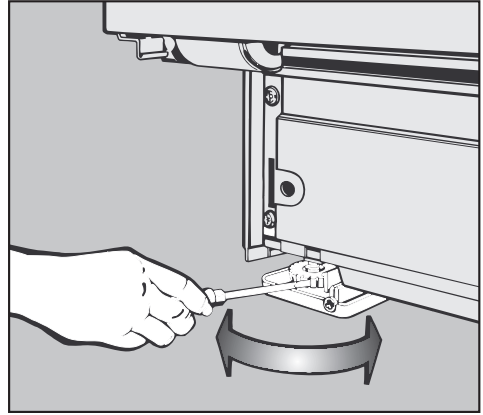


- Adjust the rear leveling legs to the required height.

To raise the machine - turn clockwise.

To lower the machine - turn counter-clockwise.

Several turns may be needed to set the correct height. A low speed electric or cordless screwdriver can also be used.



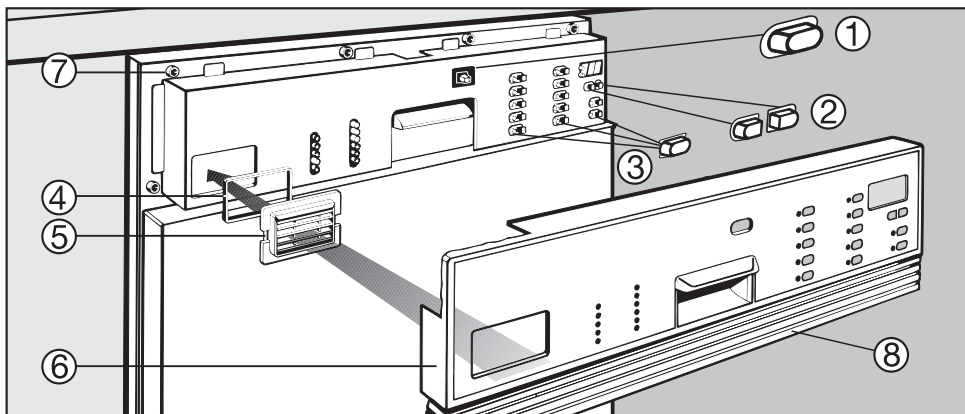
- Adjust the front leveling legs by pushing on the foot with a slotted screwdriver.
- Tipping the machine slightly, if possible, will make adjusting the front legs easier. Make sure the machine is level when adjustments are complete.

The dishwasher should be raised until it just touches the underside of the countertop.

# Dishwasher installation

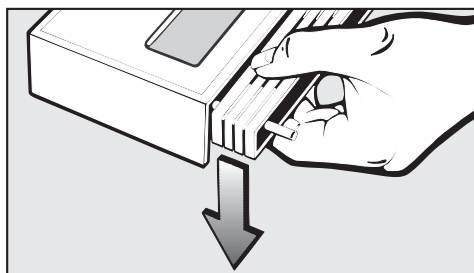
## 3. Installing the Control panel

The control panel and hardware is packaged separately from the dishwasher. It should be installed using the following procedure.



**If a GDU decor kit is being used,** (to convert an “I” dishwasher to a “U” version), the spacer bars ⑧ must first be removed and stored for possible use in the future. (See the separate instructions for installing the GDU decor kit). If the GDU kit is not being used, skip the following step.

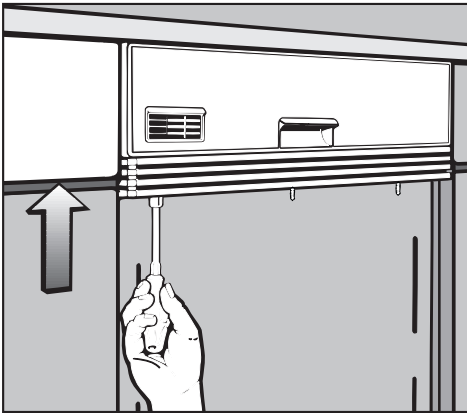
- Install the necessary spacer bars on the control panel.
- Place the large cap ① on the ON/OFF button.
- Place the two small caps with one straight edge ② on to the “+” and “-” buttons. The straight edges must face each other.
- Place the 12 small oval caps ③ onto other button.
- Place the seal ④ in the groove on the rear of the ventilation grille ⑤, then push the ventilation grille into the metal backing plate.
- Position the control panel ⑥ over the backing plate and fasten it from the inside of the door ⑦ using the six screws provided.



- To remove the spacer bars from the control panel, place the panel on a table, printed side up, and gently push down on the spacer bars at a point near the bottom of the control panel. This will release the mounting bolts from their slots.

## 4. Aligning the control panel with the drawer fronts.

- The control panel can be aligned with the drawer fronts of the kitchen cabinets by adjusting the spacer bars.



- Using an 8 mm socket, turn the nut clockwise or counterclockwise until the spacers reach the required height.
- If necessary, individual (or all) spacer bars can be removed.

### Adjustment range

- from 4 1/2" control panel without spacer bars, (112 mm):
- to 5 3/4" control panel with four spacer bars, (145 mm):
- to 6": using a fifth spacer bar (154 mm): (optional accessory).

- After adjusting the control panel height, cut off the plastic screw excess.

## 5. Installing the custom door panel.

A custom door panel matching the kitchen cabinetry can be installed on the dishwasher by using the provided templates and bracket.

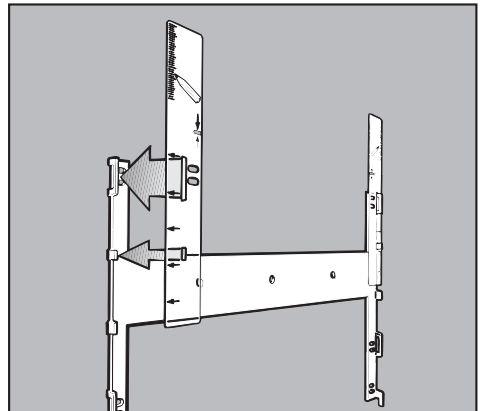
Length: 21" - 25 3/4" (53.3 - 65.4 cm)

Width: 23 1/2" (59.8 cm)

Note: The maximum panel length is only applicable when no spacer bars are used.

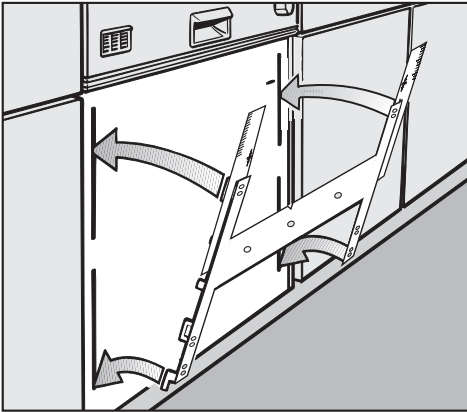
If a Stainless Steel panel is being used, please follow the separate installation instructions included with the panel.

After panel installation, see Step 6 "Adjusting the door springs".

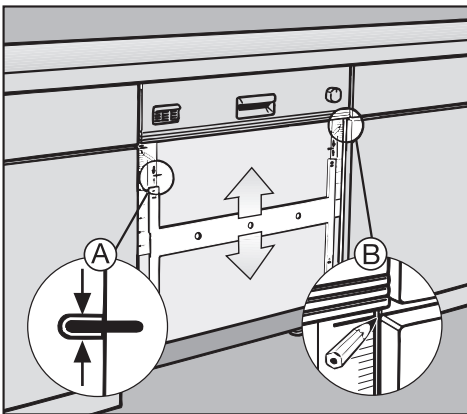


- Place a template on each end of the bracket as shown, making sure the rule marks face the outside of the bracket.

# Dishwasher installation

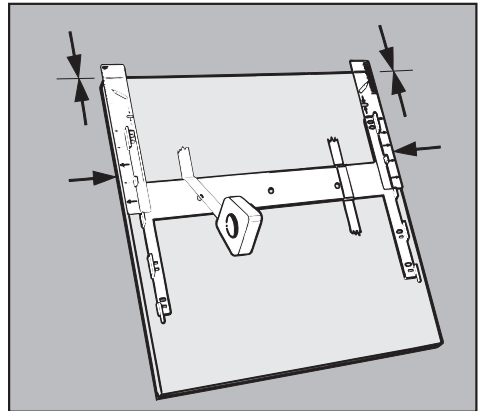


- Hang the bracket on the machine door.
- Slide the top edge of the templates under the spacer bars and control panel.



- Slide the mounting bracket up or down until the oblong holes on the machine door align with the corresponding marks on the template (as shown in the left side of inset A).
- Draw a line on each template that is even with the top edge of the adjacent cabinet door (inset B).

- Remove the bracket from the door.
- Place the door panel on a flat surface, good side facing down, taking care not to scratch the surface. Make certain that the bottom of the panel is closest to you.
- Place the bracket on the back of the door panel and adjust it so that:
  - the lines you drew on the templates align with the upper edge of the door panel and;
  - the mounting bracket is centered (left to right) on the door panel.



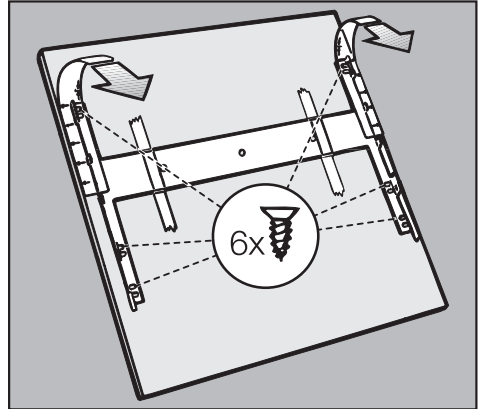
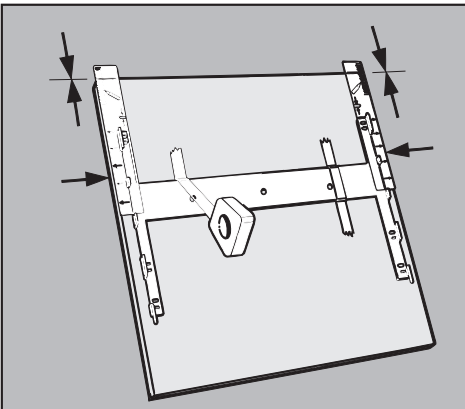
- Tape the bracket to the door panel to hold it in place while the mounting holes are being drilled.
- Proceed to step “Drill pilot holes ...”.



# Dishwasher installation

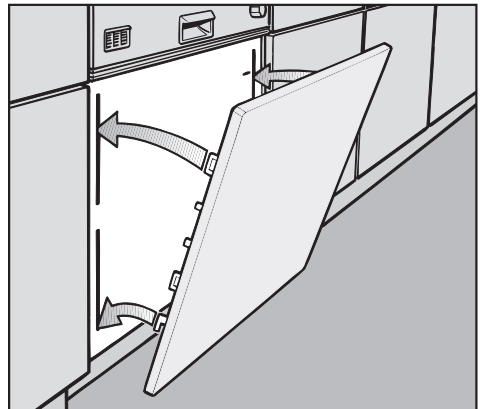
**If the adjacent cabinetry (or appliance) does not have drawers and alignment to a drawer line is impossible:**

- Hang the bracket on the machine door, without the templates, and tighten the four locking screws on the edges of the door panel.
- Close the door.
- Measure the distance from the adjacent cabinet (or appliance) door bottom to the bottom of the mounting bracket (X).
- Using measurement (X), draw a line on the rear of the door panel (X) inches up from the bottom.
- Remove the bracket from the machine door and place it on the rear of the door panel so that:
  - the bracket is centered left to right, and
  - the bottom of the bracket is aligned with the (X) line.
- Tape the bracket to the door panel to hold it in place while the mounting holes are being drilled.



- Drill pilot holes for the screws using a 3/32" (2.5 mm) bit.
- Attach the bracket to the panel using the 6 screws provided.
- Remove the templates (if used).

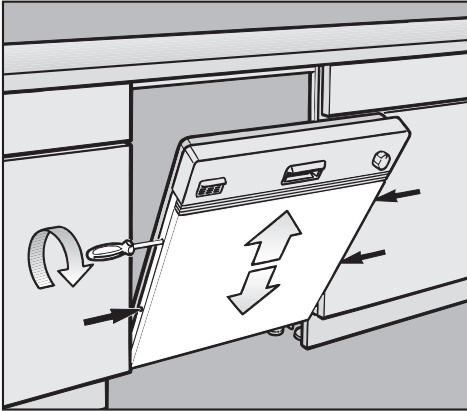
The templates should be kept in case you want to install a different door panel on the dishwasher at a later date.



- Attach the panel to the dishwasher by aligning the bracket tabs with the slots on the door.

# Dishwasher installation

---



Once the door panel is positioned correctly :

- Open the dishwasher door.
- Tighten all the Torx screws on the edges of the dishwasher door.
- Use the provided caps to plug the locking screw access holes.

- Open the dishwasher door slightly. If the locking screws on the edge of the dishwasher door can not be reached, the dishwasher will have to be pulled out of its recess a few inches.
- Push up one side of the door panel until it touches the spacer bars (or control panel if spacer bars are not being used) and lightly tighten the T20 Torx screw on the corresponding edge of the machine door.
- Repeat the process with the other side of the door panel.
- Shut the door.
- Check that the door panel is adjusted correctly. It should be snug at the top and neatly aligned with the cabinet drawer and door lines. If it isn't aligned properly, loosen the Torx screws and readjust the panel

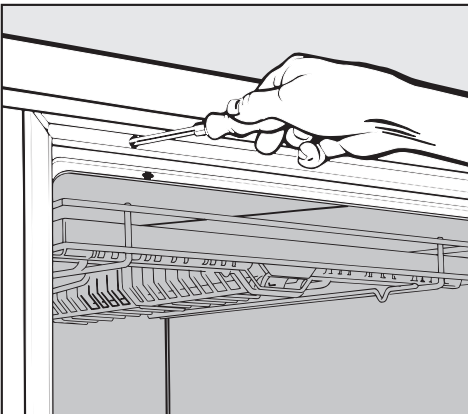
## 6. Adjusting the door springs.

The door springs are adjusted correctly when a half opened door remains in that position when released.

If the door drops down, the spring tension needs to be increased.

If the door closes, the spring tension needs to be decreased.

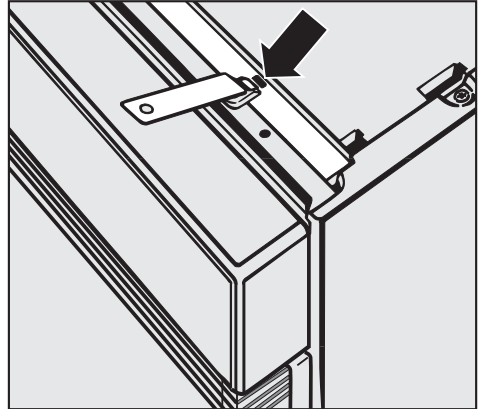
The adjusting screw is located in the upper front strip, on the left hand side of the dishwasher.



- Open the dishwasher door.
- Adjust the door springs to the correct balance by using a TORX screwdriver:
  - turn clockwise to increase the tension
  - turn counterclockwise to decrease the tension.

## 7. Securing the dishwasher to the countertop.

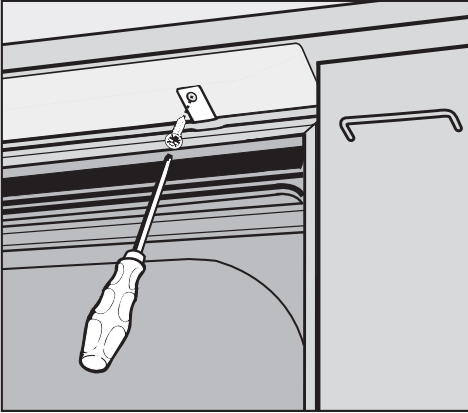
To ensure the stability of the dishwasher, it must be attached to the countertop after it has been positioned.



- Insert one mounting bracket into each of the slots located at the left and right side of the machine top.
- Push the machine into its recess and if necessary, raise the dishwasher by extending the feet until it just touches the underside of the countertop.

If a steam deflector is installed under the countertop, the bracket holes must align with the slots in the deflector.

# Dishwasher installation



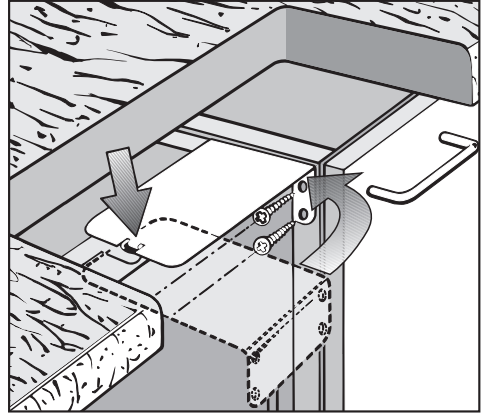
- Open the dishwasher door and using flat head screws, secure the dishwasher to the countertop by screwing through both the mounting brackets and the steam deflector.

Make certain that the white rubber seal located at the top, outer edge of the dishwasher is tight against the bottom of the countertop.

Do not drill any additional holes through any portion of the wash cabinet. If in doubt how to secure the dishwasher, please call the Miele Service Department.

For Corian® or granite countertops, fasten the dishwasher to the adjacent cabinets as follows:

## **For openings greater than 23 5/8" (60 cm) wide:**

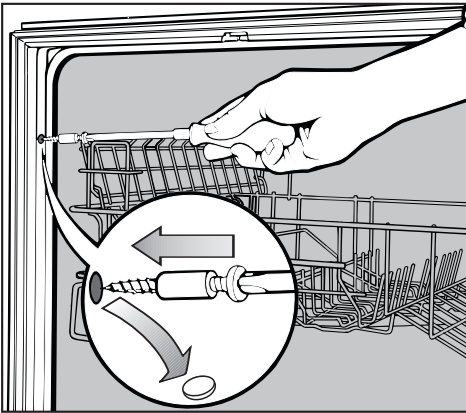


- Pull the dishwasher 4" (10 cm) out of its opening.
- Insert the tab of each optional mounting bracket into the guide hole on top of the dishwasher, and then swing it to the right or left as required.

Push the dishwasher back into its opening, align and fasten it to the adjacent cabinets using 2 screws for each bracket.

## **For openings exactly 23 5/8" (60 cm) wide:**

- Open the dishwasher door and remove the caps covering the mounting holes on the outer edge of the wash chamber.



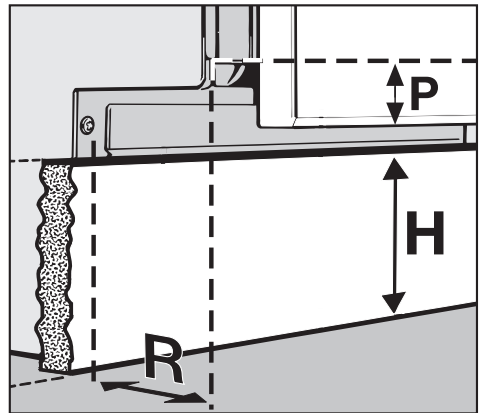
- Fasten the dishwasher to the adjacent cabinets using the supplied screws and bushings. Make sure a bushing is placed over the screw before inserting it into its mounting hole.
- Tighten the screws and replace the caps.

**The side mounting holes should only be used for securing the dishwasher if the opening is exactly 23 5/8" (60 cm) wide. Use of this method on larger openings will damage the machine and cause leaks.**

## **8. Installing the toekick.**

### **For kitchens utilizing one continuous or a cabinet matching toekick**

To prevent damaging the front panel, and before installing the toekick, measurements must be taken to ensure that the toekick will not interfere with the complete opening of the dishwasher door.



The panel overhang (**P**), and toekick depth of recess (**R**), determine the maximum dishwasher toekick height (**H**).

**If the panel contacts the toekick while the dishwasher door is being opened, the dishwasher toekick must be cut shorter or recessed deeper.**

If (**H**) is equal to or less than the toekick height of the adjoining cabinetry, no interference will exist, provided that (**R**) is at least 3/4".

**Note:** If a decorative or flush mount toekick is desired, and (**R**) is less than 3/4", other modifications, such as beveling the top rear edge of the toekick, may be necessary.

# Dishwasher installation

## **For kitchens utilizing the included plastic toekick**

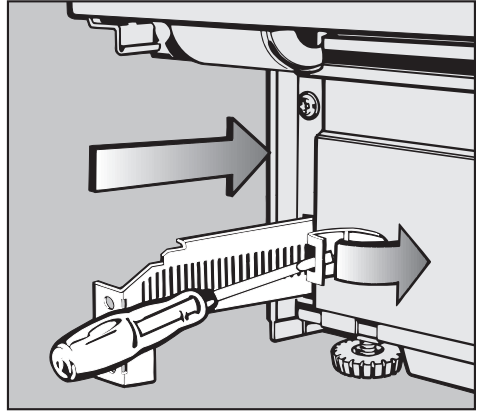
The included toekick will fit without modification when:

- The machine is set to its maximum height (legs fully extended), and
- the toekick is recessed as far as possible (4 ").

If the machine height is less than maximum, or if the toekick is recessed less than 4 ", the toekick must be shortened (see following page).

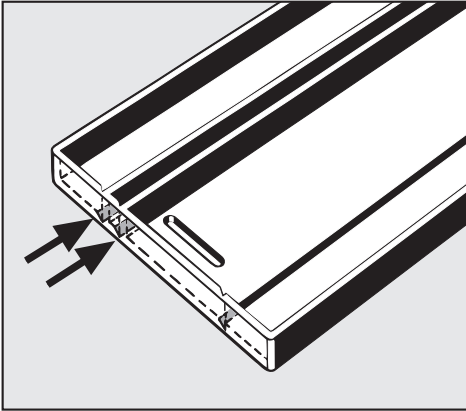
After installation, carefully open the dishwasher door to check that the front panel does not hit the toekick. If it does, remove the toekick and trim it accordingly.

## **Adjusting the toekick recess.**

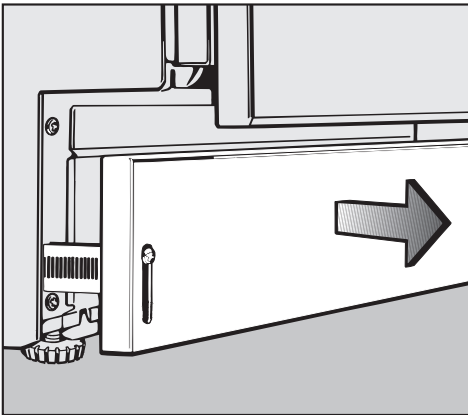


- To adjust the depth (recess) of the toekick, release the tension on the spring clips as shown, and push the mounting brackets included in the installation kit in as far as possible.

## Trimming the toekick

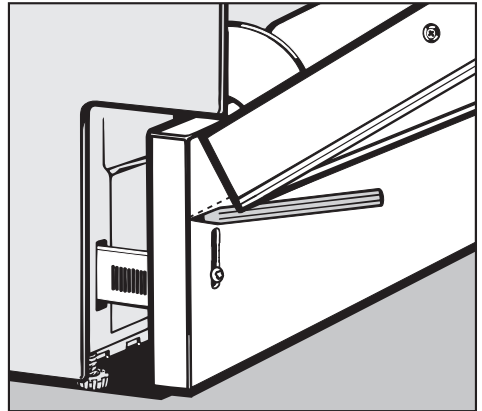


The rear of the toekick has two cutting lines.



- Screw the toekick onto the installed brackets, with the cutting lines towards the top, and pull out evenly until it aligns with the toekick of the adjoining cabinets.

The toekick cannot be pushed back in. It must be unscrewed, so that the tension on the spring clips can be released. The brackets can then be pushed in, and the toekick re-attached.



- Carefully open the dishwasher door until it hits the toekick.
- Using the front lower edge of the door panel as a guide, draw a line across the toekick.
- Unscrew and remove the toekick.
- If one of the cutting lines is close to the line just drawn, score the front of the toekick, and snap off the excess, otherwise, trim the toekick along the line using a saw.
- Screw the toekick back onto the brackets, with the cut edge at the bottom.

If the dishwasher door does not open completely, the toekick may need further trimming.

# Electrical connection

---

It is the responsibility and obligation of the customer to ensure that the electrical and plumbing installation is carried out by a qualified installer in compliance with national and local codes and ordinances.

Disconnect the appliance from the power supply before servicing the machine by pulling the plug or turning off the circuit breaker.

## Specifications.

Power Supply: 120 VAC, 60 Hz

Rated Load: 12.5 A / 1500 W

Circuit breaker: 15 AMPS

The unit is equipped with a 5 ft (1.5 m) power supply cord for connection to a 120 V, 15 AMP **grounded** receptacle.

## Using an outlet:

- It is recommended that the power outlet for the appliance be installed in a cabinet or on a wall adjacent to the undercounter space in which the appliance itself will be located. An opening through the partition between the compartments of 1 1/2" (3 to 4 cm) can be made to allow the plug to pass through.
- Make certain that there are no rough edges that could damage the power cord. If metal cabinets are used, place the supplied rubber grommet around the edge of the opening before passing the cable through.

- Exercise care when pulling the dishwasher in or out, so as not to damage the power cord or hoses.

## GROUNDING INSTRUCTIONS.

THIS APPLIANCE MUST BE GROUNDED.

In the event of a malfunction or breakdown, grounding will reduce the risk of electric shock by providing a path of least resistance for the electric current. This appliance is equipped with a cord having an equipment grounding conductor and a grounding plug. The plug must be plugged into an appropriate outlet that is installed and grounded in accordance with all local codes and ordinances.

**WARNING - Improper connection of the equipment grounding conductor can result in the risk of electric shock. Check with a qualified electrician or service representative if you are in doubt as to whether the appliance is properly grounded. Do not modify the plug provided with the appliance; if it will not fit the outlet, have a proper outlet installed by a qualified electrician.**



## Permanent Connection (Hard Wiring).

For hard wiring, the power cord must be disconnected from the terminal box located at the lower left front of the dishwasher, behind the toe-kick and service panel. Pass the permanent power supply cable through the strain relief and secure it to the terminal box.

Connect:

L1 (Black) to L on terminal block

N (White) to N on terminal block

GRND To ground connector

## GROUNDING INSTRUCTIONS

This appliance must be connected to a grounded metal, permanent wiring system, or an equipment-grounding conductor must be run with the circuit conductors and connected to the equipment grounding terminal or lead on the appliance.

Use copper conductors only.

**Warning.**  
**Hardwiring the dishwasher should only be done if required by local electrical codes, and then in a manner consistent with those codes. Do not cut the plug off the power supply cord and connect it directly to the house wiring.**

# Plumbing

It is the responsibility and obligation of the customer to ensure that the electrical and plumbing installation is carried out by a qualified installer in compliance with national and local codes and ordinances.

All dishwashers that carry the following blue and white sticker are designed to shut off the water and drain the wash chamber in the rare event of an internal water valve failure.

**In order for this function to be active, the door must be shut and the machine must be “ON”.**



Hot water supply specifications:

Recommended temperature: 120°F (49°C)

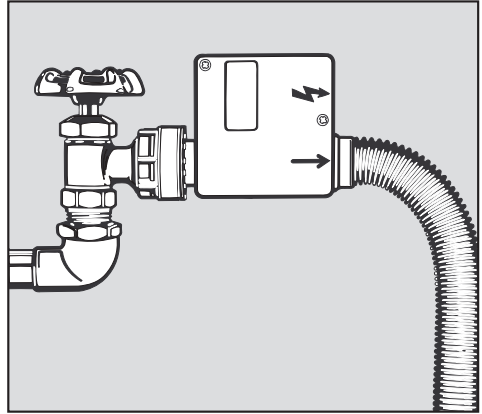
Maximum temperature: 140°F (60°C)

Water pressure: 4.5 - 145 psi (0.3 - 10 bar)

An air gap is built into the water inlet system to prevent potable water mixing with waste water.

## Hot water connection.

### New plumbing:



The water inlet hose comes equipped with a 3/4" female hose thread connector. This can be directly connected to a shut off valve with 3/4" male hose thread ends.

**It is preferable that the hose assembly be installed vertically so the hose exits from the bottom of the valve box.**

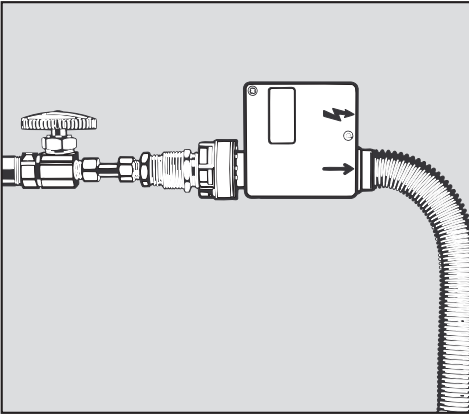
If this is not possible, it can be installed horizontally, provided the hose exit remains beneath the main body of the box (see illustration). (The “lightning bolt” should be above the “arrow” when the installation is complete). The valve box should also be installed so that it is at least 8" (24 cm) above the floor (or base of the cabinet), and so the excess coiled hose will remain lower than the box at all points.

A 2" x 4" (60 x 115 mm) cutout in either the side or bottom of the cabinet adjoining the dishwasher is necessary if the valve box needs to be passed through.

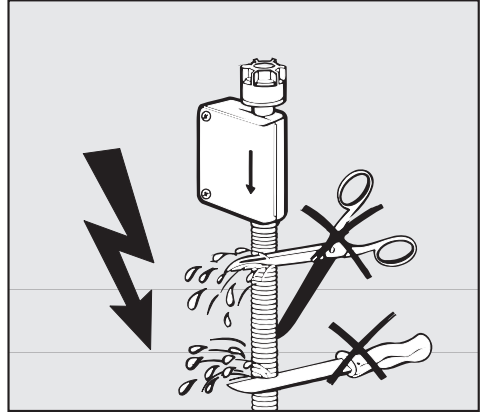
The water pressure must be between 4.5 and 145 psi (0.3 and 10 bar). If the water pressure is too low the machine may not take in enough water in the allotted time and the “Water Intake” indicator lamp will flash. If the water pressure is too high, a pressure reducer must be installed.

## Existing plumbing:

If the standard 3/8" copper plumbing for a dishwasher already exists with a compression fitting and valve as pictured:



- Cut the 3/8" copper tubing after the valve.
- Install the 3/8" compression to 3/4" MHT (Male Hose Thread) adapter (supplied with the machine), as illustrated.
- Connect the inlet hose to the existing valve/adapter assembly.



Do not, under any circumstances, cut the intake hose. If the hose is cut, the dishwasher will not work, you will have a water leak and you could be injured. If the hose is too long, coil it neatly and place it behind the machine.

Electrical wiring and components should not come into contact with any plumbing fixtures or hoses.

# Plumbing

## Drain system specifications:

The machine comes equipped with:

- A 5 ft. long (1.5 m) flexible drain hose with an internal diameter of 7/8" (22 mm).
- A built-in swivel connector which allows the drain hose to be routed in any direction.
- A built in non-return valve on the discharge side to prevent waste water from flowing back into the dishwasher.
- A built-in odor trap on the discharge side to prevent odors from entering the kitchen.

Maximum drain height: 3 ft (1 m)

Maximum drain hose length: 12 ft (3.5 m)

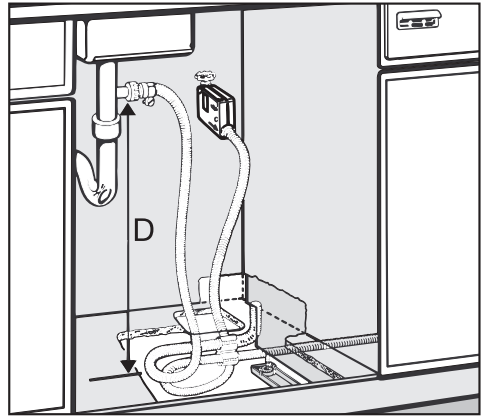
## Do not shorten the drain hose.

Electrical wiring and components should not come into contact with any plumbing fixtures or hoses.

### IMPORTANT:

The dishwasher should be connected directly to the drain line.

## Drain connection:



D = 24 " (60 cm) (nominal)

Connect the supplied drain hose to the drain pipe of the kitchen sink either:

A - **above** the trap using the clamp provided, or

B - to the dishwasher connector of the garbage disposal.

**When connecting the drain hose to the garbage disposal, make sure to remove the knockout from the connection nipple. (See disposal manufacturers instructions for this procedure.)**

A sample of a correct water and drain installation of a dishwasher is shown.

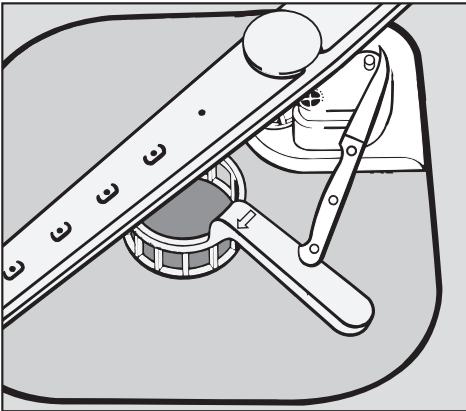
**A hose that attaches to a sink spray can burst if it is installed on the same water line as the dishwasher. If your sink has one, it is recommended that the hose be disconnected and the hole plugged.**

## Venting the drainage system

The dishwasher drain must be vented **only** if the drain hose is connected to a **floor drain or to a drain pipe that is below the level of the bottom of the lower basket**; otherwise the water inside of the dishwasher may siphon out during the course of a wash program.

To vent the drain:

- Open the dishwasher door.



- Cut off the vent cap located at the right rear of the dishwasher, behind the filters, as illustrated.

## Additional note.

Since all Miele dishwashers are equipped with an odor trap and non-return valve, the drain hose can be connected directly to the drain pipe as illustrated.

If plumbing codes require an external air gap on the discharge side of the dishwasher, the following requirements must be met:

- No part of the drain hose should be higher than 39" (1 mm).
- If installed horizontally, the drain hose can be up to 12 ft. (3.5 m) long. If the drain hose is angled upwards in any way, it cannot be longer than 5 ft. (1.5 m).
- The drain connection should be made as close as possible to the dishwasher.
- The internal diameter (7/8" or 22 mm) of the drain hose should not be reduced at any point.

## Technical Data

---

Height	33 1/8" (84 cm) adjustable to 35" (89 cm)
Width	23 1/2 " (59.8 cm)
Width of opening	23 5/8" (60 cm)
Depth	22 1/2" (57 cm) U and i models
Depth with door open	47 1/2" (120.5 cm) U and i models
Weight	approx. 130 lbs (57 kg)
Voltage	110/120 V AC
Rated load	12.5 A / 1500 W
Fuse rating	15 A
Water pressure	4.5 - 145 psi (0,3 - 10 bar)
Hot water connection	120°F (49°C ) (max 140°F (60°C))
Drain height	3 ft (1 m) maximum
Drain length	12 ft (3.5 m) maximum
Power cord length	approx. 5 ft (1.5 m)



# Miele

## **Miele Appliances, Inc.**

### **National Headquarters**

22D Worlds Fair Drive  
Somerset, NJ 08873  
Phone: 732-560-0899  
or 800-843-7231  
Fax: 732-560-9649  
Internet: <http://www.mieleUSA.com>

### **Southeast Regional Headquarters**

6400 Congress Avenue  
Suite 1700  
Boca Raton, FL 33487  
Phone: 561-995-8030  
Fax: 561-995-8083

### **West Coast Regional Headquarters**

680 Eighth Street  
Suite 168 - Sobel Building  
San Francisco, CA 94103  
Phone: 415-241-6820  
Fax: 415-241-6822

REGIONAL SERVICE 800-245-8215

### **Southern California Showroom**

189 North Robertson Blvd.  
Beverly Hills, CA 90211  
Phone: 310-855-9470  
Fax: 310-358-0238

### **Mid West Regional Headquarters**

3100 West Dundee Road  
Suite 901  
Northbrook, IL 60062  
Phone: 847-714-9433  
Fax: 847-714-9434

## **Miele Limited**

### **Head Office**

55G East Beaver Creek Road  
Richmond Hill  
Ontario L4B 1E5  
Phone Number (905) 707-1171  
Fax Number (905) 707-0177  
Internet: <http://www.miele.de>

### **BC Regional Sales Office**

3731 North Fraser Way  
Unit 200  
Burnaby  
British Columbia V5J 5J2  
Téléphone: (604) 434-1300  
Télécopieur: (604) 434-1309